

# ES300

## Instructions for use

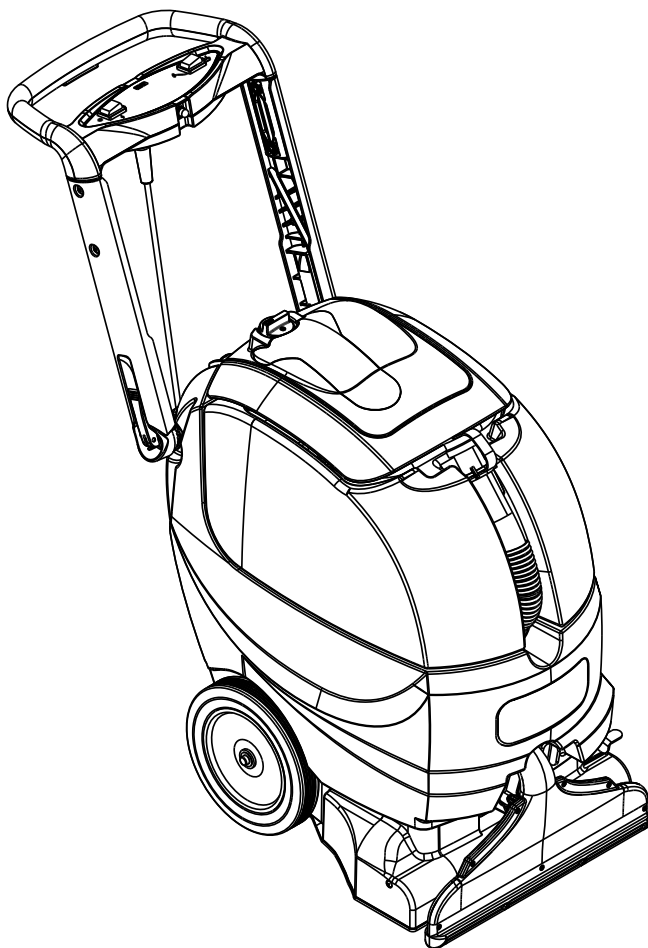
Instructions for Use  
Original Instructions  
Kullanım Talimatları  
Инструкции за употреба  
Instrucțiuni de utilizare



9/2015 revised 8/2016 REV B  
Form no. 56091180



A-English  
B-Türkçe  
C-български  
D-Românesc



Model:  
56265503



## TABLE OF CONTENTS

	Page
<b>Introduction</b> .....	A-3
Parts and Service .....	A-3
Nameplate .....	A-3
Uncrating the Machine.....	A-3
Cautions and Warnings .....	A-4
Grounding Instructions .....	A-5
<b>Know Your Machine – ES300</b> .....	A-6 – A-7
<b>Know Your Control Panel</b> .....	A-8
<b>Preparing the Machine for Use</b>	
Filling the Solution Tank.....	A-9
Before Using.....	A-9
Pre-Spraying the Carpet.....	A-9
Plan for Cleaning .....	A-9
<b>Operation</b>	
Operating the Machine .....	A-10 – A-11
Using Attachments.....	A-10 – A-11
Hard Floor Kits.....	A-11
<b>After Use</b>	
After Using the Machine .....	A-12
<b>Maintenance</b>	
Maintenance Schedule .....	A-12
Vacuum Shoe Maintenance.....	A-12
Spray Nozzle Maintenance.....	A-13
Power Cord Maintenance.....	A-13
Power Brush Maintenance .....	A-13
Removing the Brush.....	A-13
Troubleshooting .....	A-14
Accessories / Options.....	A-15
Technical Specifications .....	A-15

## INTRODUCTION

This manual will help you get the most from your Nilfisk™ carpet extractor. Read it thoroughly before operating the machine.

This product is intended for commercial use only.

## PARTS AND SERVICE

Repairs, when required, should be performed by your Authorized Nilfisk Service Center, who employs factory trained service personnel, and maintains an inventory of Nilfisk original replacement parts and accessories.

## MODIFICATIONS

Modifications and additions to the cleaning machine which affect capacity and safe operation shall not be performed by the customer or user without prior written approval from Nilfisk, Inc. Unapproved modifications will void the machine warranty and make the customer liable for any resulting accidents.

## NAMEPLATE

The Model Number (also known as Part Number) and Serial Number of your machine are shown on the Nameplate, located on the rear base of the machine. This information is needed when ordering repair parts for the machine. Use the space below to note the Part Number and Serial Number of your machine for future reference.

PART NO. \_\_\_\_\_

SERIAL NO. \_\_\_\_\_

## UNCRATING THE MACHINE

When the machine is delivered, carefully inspect the shipping carton and the machine for damage. If damage is evident, save the shipping carton so that it can be inspected. Contact the Nilfisk Customer Service Department immediately to file a freight damage claim.

## IMPORTANT SAFETY INSTRUCTIONS

This machine is only suitable for commercial use, for example in hotels, schools, hospitals, shops and offices other than normal residential housekeeping purposes.

When using an electrical appliance, basic precautions should always be followed, including the following:



Read all instructions before using this appliance.

### **WARNING!**

To reduce the risk of fire, electric shock, or injury:

- Do not leave the appliance when it is plugged in. Unplug the unit from the outlet when not in use and before servicing.
- To avoid electric shock, do not expose to rain. Store indoors.
- This machine is not intended for use by persons (including children) with reduced physical, sensory or mental capabilities, or lack of experience and knowledge.
- Do not allow to be used as a toy. Close attention is necessary when used near children.
- Use only as described in this manual. Use only the manufacturer's recommended attachments.
- Do not use with damaged cord or plug. If the appliance is not working as it should be, has been dropped, damaged, left outdoors or dropped into water, return it to a service center.
- Do not pull or carry by the cord, use the cord as a handle, close a door on the cord, or pull the cord around sharp edges or corners. Do not run the appliance over the cord. Keep the cord away from heated surfaces.
- Do not unplug by pulling on the cord. To unplug, grasp the plug, not the cord.
- Do not handle the plug, cord or appliance with wet hands.
- Do not put any object into openings. Do not use with any opening blocked; keep free of dust, lint, hair, and anything that may reduce air flow.
- Keep loose clothing, hair, fingers, and all parts of body away from openings and moving parts.
- Do not pick up anything that is burning or smoking, such as cigarettes, matches, or hot ashes, or any health endangering dusts.
- Turn off all controls before unplugging.
- Use extra care when cleaning on stairs.
- Do not use to pick up flammable or combustible liquids such as petrol or use in areas where they may be present.
- If foam or liquid comes out with the vacuum exhaust, switch power off immediately. Verify that there are no foreign objects obstructing the float ball from moving freely. Contact Nilfisk if the problem persists.
- Liquid ejected at the spray nozzle could be dangerous as a result of its temperature, pressure or chemical content.
- Only use the brushes provided with the appliance or those specified in the instruction manual. The use of other brushes may impair safety.

**SAVE THESE INSTRUCTIONS**

## GROUNDING INSTRUCTIONS

This appliance must be grounded. If it should electrically malfunction, grounding provides a path of least resistance for electric current to reduce the risk of electric shock. This appliance is equipped with a cord having an equipment-grounding conductor and grounding plug. The plug must be plugged into an appropriate outlet that is properly installed and grounded in accordance with all local codes and ordinances.

### **DANGER!**

Improper connection of the equipment-grounding conductor can result in a risk of electric shock. Check with a qualified electrician or service person if you are in doubt as to whether the outlet is properly grounded. Do not modify the plug provided with the appliance. If it will not fit the outlet, have a proper outlet installed by a qualified electrician.

Replace the plug if the grounding pin is damaged or broken.

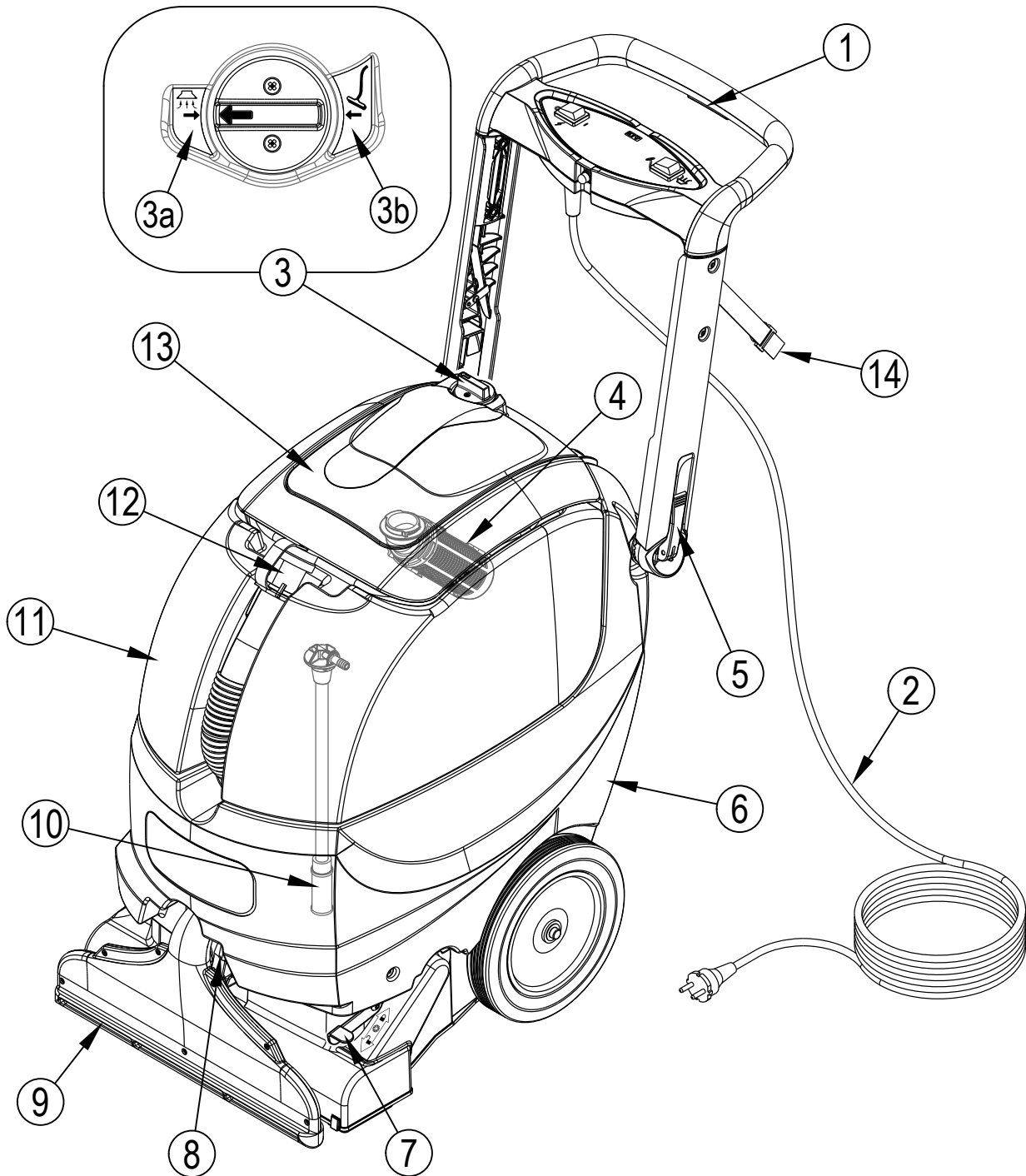
The Green (or Green/Yellow) wire in the cord is the grounding wire. When replacing a plug, this wire must be attached to the grounding pin only. Extension cords connected to this machine should be 2.5mm<sup>2</sup> (12 AWG), three-wire cords with three-prong plugs and outlets. DO NOT use extension cords more than 15 M (50 ft) long.

### **WARNING!**

- If an extension cord is used, the plug and socket must be of watertight construction.
- Inadequate extension cords can be dangerous.

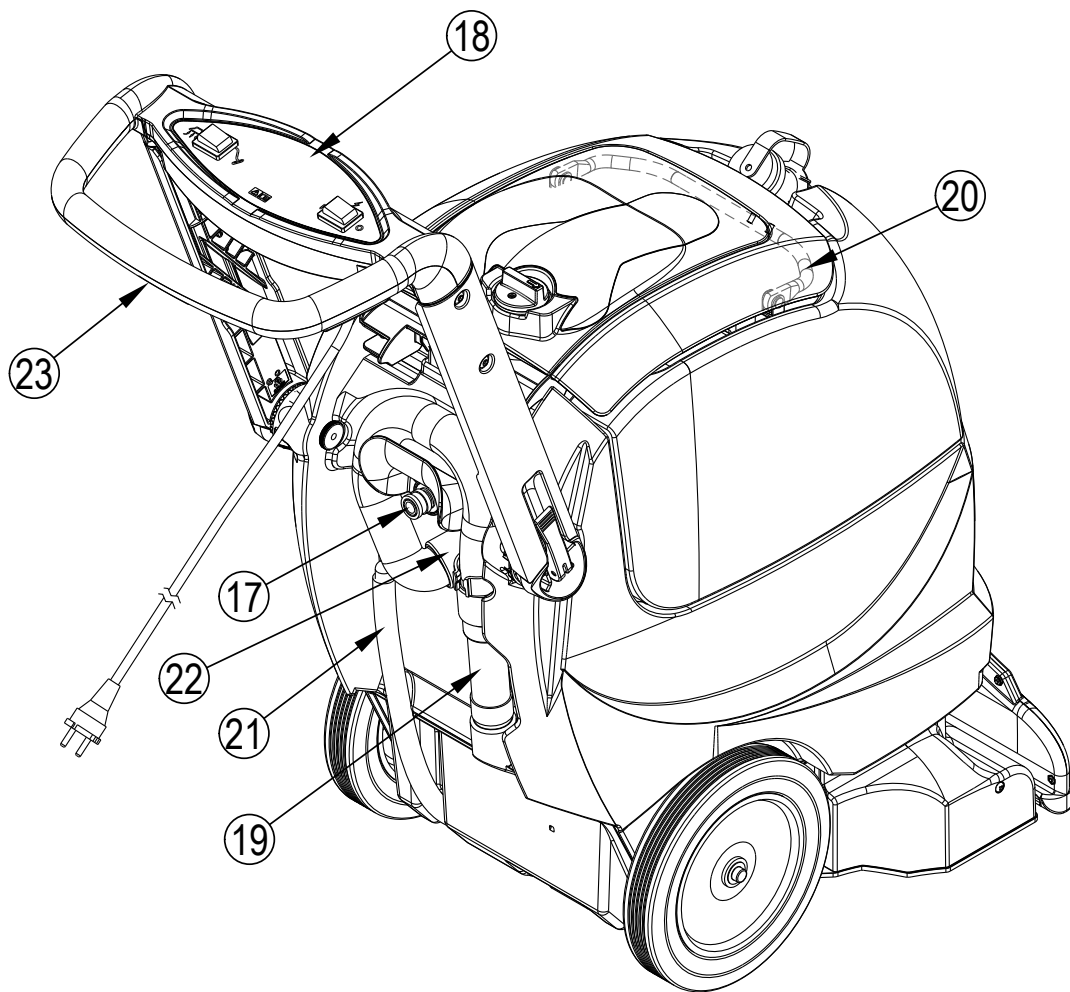
**KNOW YOUR MACHINE – ES300**

- |    |  |    |                           |
|----|--|----|---------------------------|
| 1  | Solution Switch                                    | 7  | Brush Storage Lift Lever  |
| 2  | Power Cord   | 8  | Vacuum Shoe Release Lever |
| 3  | Vacuum Mode Selector Knob                          | 9  | Vacuum Shoe               |
| 3a | Vacuum Shoe Mode                                   | 10 | Solution Filter           |
| 3b | Accessory Mode                                     | 11 | Recovery Tank             |
| 4  | Automatic Float Shut-Off                           | 12 | Recovery Tank Drain Hose  |
| 5  | Handle Angle Adjust Release Levers (quantity of 2) | 13 | Recovery Tank Dome Lid    |
| 6  | Solution Tank                                      | 14 | Cord Retainer Strap       |



**KNOW YOUR MACHINE – ES300**

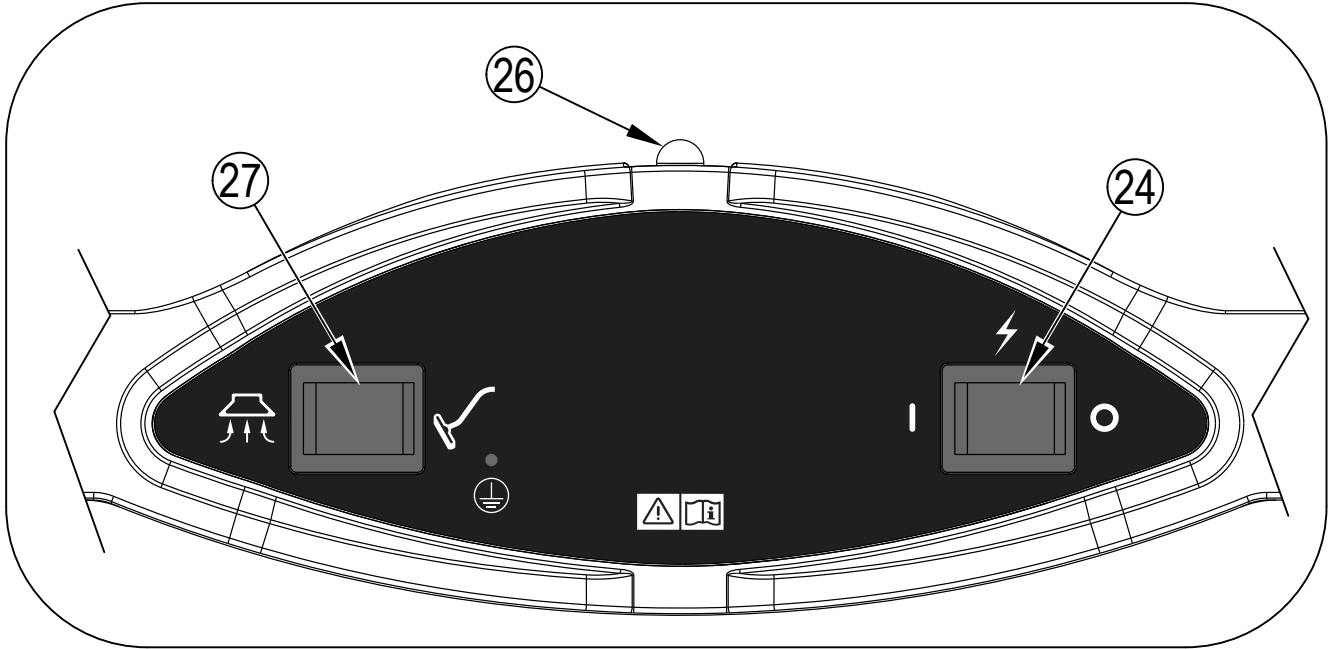
- 17 Accessory Solution Port
- 18 Control Panel
- 19 Hand Tool (Optional)
- 20 Recovery Tank Handle
- 21 Solution Drain Hose / Level Indicator
- 22 Accessory Vacuum Hose Port
- 23 Handle Assembly





### KNOW YOUR CONTROL PANEL

- 24 Main Power Switch
- 26 Circuit Breaker 5 Amp
- 27 Vacuum Shoe / Accessory Switch



## PREPARING THE MACHINE FOR USE

### FILLING THE SOLUTION TANK

- 1 Turn the power switch to off (O) and then unplug the machine.
- 2 Open the Recovery Tank Dome Lid (13). Use the Recovery Tank Handle (20) and lift the recovery tank from the machine then set it off to the side.
- 3 Read the dilution instructions on the detergent container. Then calculate the proper amount of detergent to mix with your machine's solution tank capacity of water; 34 Liters (9 Gallons).

### **⚠ CAUTION!**

Use low-sudsing, liquid detergents designed for carpet extraction.

- 4 **See Figure 4.** Pour the detergent into the solution tank and fill the tank with hot water (maximum temperature 54°C/130°F). Do not overfill the solution tank. The maximum fill point is when the solution level reaches the bottom of the lip on the tank opening (A).

**NOTE:** The Solution Tank has a built in Hose Holder (B) which can be used to secure the end of the hose while filling the tank.

- 5 Put the Recovery Tank back on the machine. Make sure the Recovery Tank is properly seated on the Solution Tank.
- 6 Place the Dome Lid (13) back down onto the recovery tank.

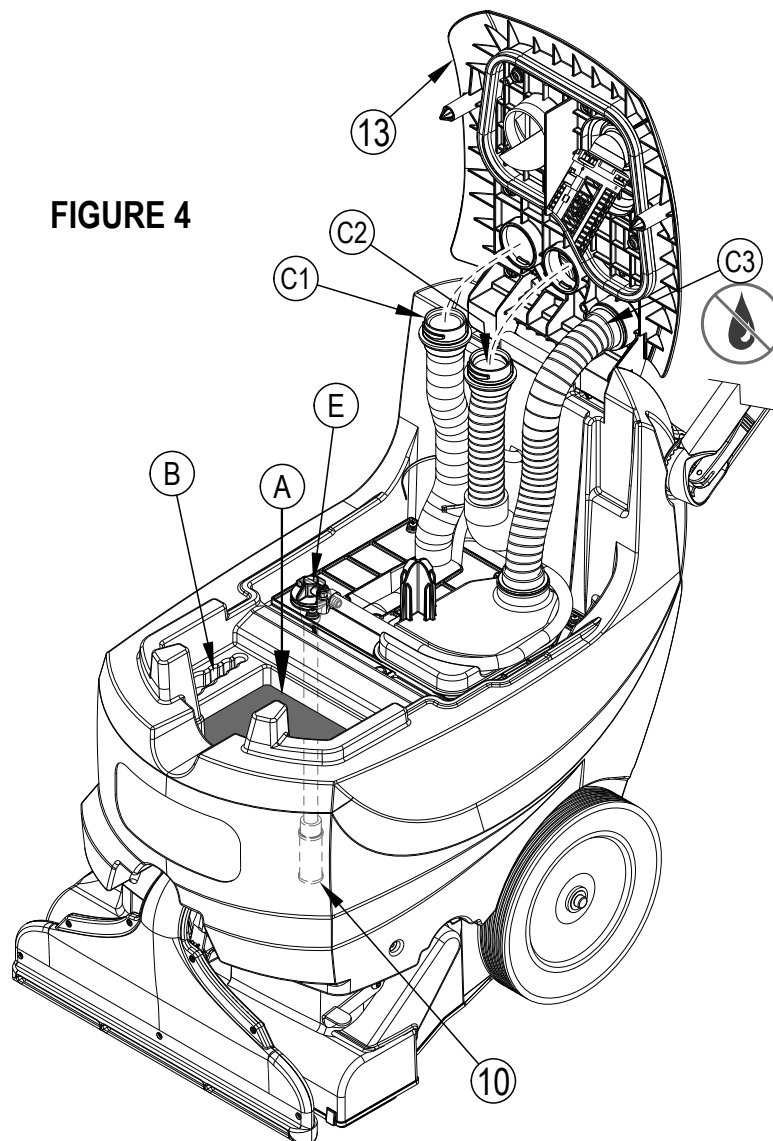
**NOTE:** The hoses (C1, C2 & C3) that connect to the dome lid attach by pushing the hose into the dome lid opening and turning 1/4 turn clockwise to lock in.

**Hose C1** = Vacuum Shoe Hose

**Hose C2** = Accessory (wand or hand tool) Hose

**Hose C3** = Vacuum Motor Hose (Do Not allow water or foam to enter this hose)

**FIGURE 4**



### BEFORE USING THE MACHINE

Thoroughly vacuum the carpet to be cleaned before using the automatic extractor.

### PRE-SPRAYING THE CARPET

Pre-spray spots and heavy traffic areas before extracting. Use a hand-held bottle sprayer or a pressurized "Hudson" type sprayer. Mix the pre-spray according to the detergent manufacturer's directions.

### PLAN FOR CLEANING

Before you begin extracting, look at the area to be cleaned and plan your work. Divide the space into sections. Overlap each pass 2 inches (5 cm).

## OPERATING THE MACHINE

- 1 Follow the instructions in the *Preparing the Machine for Use* section of this manual.
- 2 **See Figure 5.** Pull out the Handle Angle Adjust Release Levers (5) to unlock the handle position. Adjust the handle height to the most comfortable position for the operator. Push in Levers (5) to lock handle into position.
- 3 Press the Vacuum Shoe / Accessory Switch (27) to the vacuum shoe position.
- 4 Unlock (press down) Brush Storage Lever (7) so that the brush is in contact with the floor.
- 5 Rotate the Vacuum Mode Selector Knob (3) to the Vacuum Shoe position (3a) for extracting. **NOTE:** The Knob (3) must be turned all the way until the two arrows are pointing at each other, to get a complete seal.
- 6 Plug the machine into a properly grounded outlet. Turn Main Power Switch (24) to the On (I) position to start the vacuum motor, solution pump and brush motor.
- 7 Continually hold the Solution Switch (1) to dispense solution. Once the Solution Switch (1) is released the solution flow will stop.
- 8 Begin cleaning by pulling the machine along in a straight line and overlap each pass by 2 inches (5 cm). Release the Solution Switch (1) prior to turns to ensure complete extraction of solution from carpet.
- 9 Watch the fluid entering the Recovery Tank Dome Lid (13). If there is a large amount of suds in the recovery tank, add a defoamer chemical to the recovery tank.

## CAUTION!

Empty the recovery tank before the fluid or foam enters the vacuum motor.

If there is little or no fluid entering the recovery tank, check the Solution Drain Hose / Level Indicator (21), the solution tank may be empty. Refill the solution tank with water and the proper ratio of cleaning detergent.

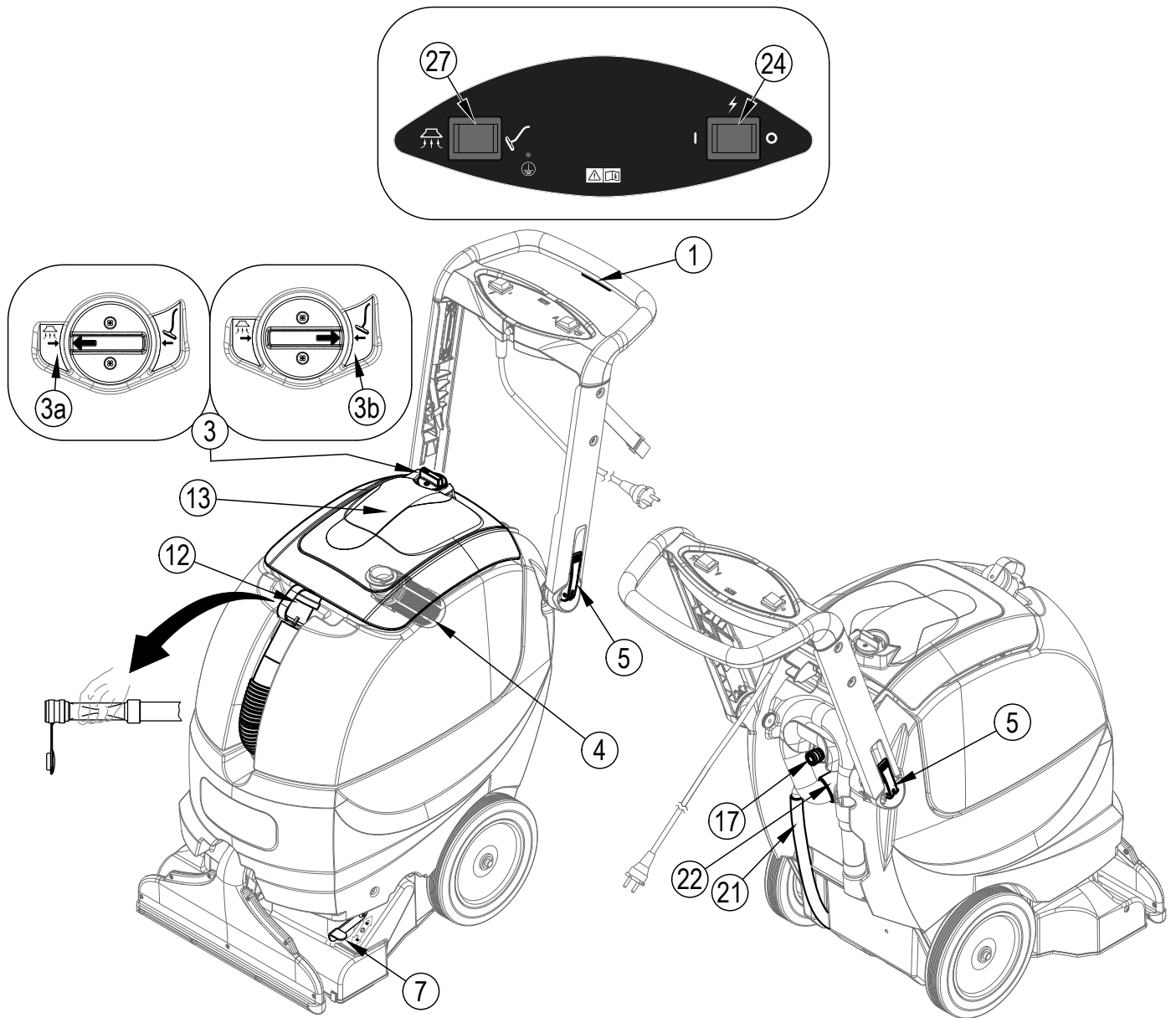
- 10 The recovery tank has an Automatic Float Shut-Off (4) to block the vacuum system when the recovery tank is full. You can tell when the float closes by the sudden change in the sound of the vacuum motor. When the float closes, the recovery tank must be emptied. The machine can continue to dispense solution, but **will not** pick up water with the float closed.
- 11 When the operator wants to stop cleaning or the recovery tank is full, release the Solution Switch (1). Then turn the main power switch Off (O) and unplug the machine. Lock (pull up) Brush Storage Lift Lever (7) to place the brush in the storage position.
- 12 Move the machine to a designated waste water "DISPOSAL SITE" and empty the recovery tank. To empty, pull the Recovery Tank Drain Hose (12) from its front storage hanger, then remove the plug (hold the end of the hose above the water level in the tank to avoid sudden, uncontrolled flow of waste water). Refill the solution tank and continue cleaning.

## USING ATTACHMENTS

To use accessory tools:

- 1 Rotate the Vacuum Mode Selector Knob (3) to the Accessory position (3b) for attachments. **NOTE:** The Knob (3) must be turned all the way until the two arrows are pointing at each other, to get a complete seal.
- 2 Attach the accessory's recovery hose to the machine's Accessory Vacuum Port (22).
- 3 Attach the accessory's solution hose to the machine's Accessory Solution Port (17).
- 4 Press the Vacuum Shoe / Accessory Switch (27) to the accessory position.
- 5 Press the Main Power Switch (24) to the On (I) position to activate the vacuum motor and solution pump. See your Nilfisk Distributor for accessories that may be used with the ES300.

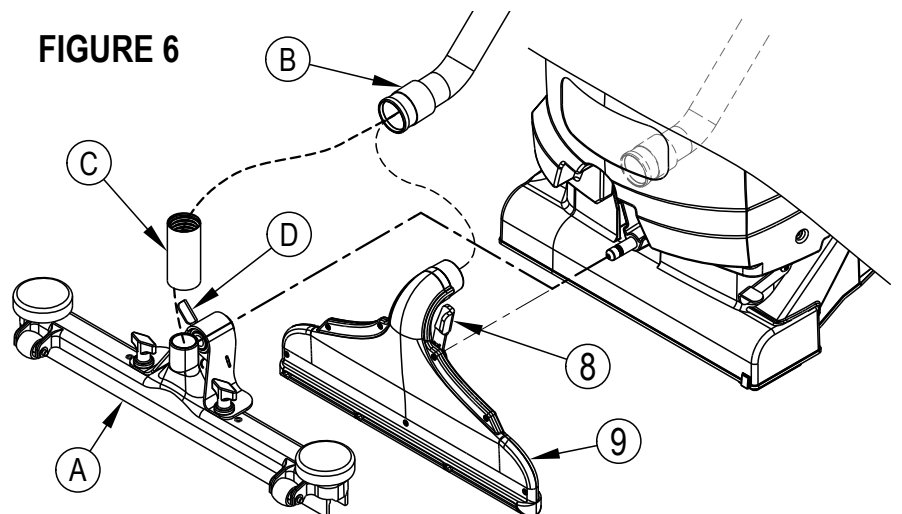
**FIGURE 5**



**HARD FLOOR KITS**

The vacuum shoe can be removed and replaced with an optional Squeegee Tool (A) for use on hard floors. See Figure 6. Push and hold in the Vacuum Shoe Release Lever (8) and slide the Vacuum Shoe (9) off of its mounting pin. Then disconnect the Recovery Hose (B) from the vacuum shoe and connect it to Hose Cuff (C) then Squeegee Tool (A). Attach the squeegee tool to the machine at the same mounting location used for the vacuum shoe, simply push the Release Lever (D) and slide the squeegee tool into place. **NOTE:** Hard floor applications can require the use of a different brush. Brush selector guide and part numbers can be found in the Parts List.

**FIGURE 6**



## AFTER USING THE MACHINE

- 1 Turn the Power Switch OFF (O). Unplug the Power Cord (2). Coil the cord and hang it from the Cord Retainer Strap (14).
- 2 To empty the recovery tank, take the Recovery Drain Hose (12) off its hanger. Direct the hose to a designated waste water "DISPOSAL SITE" and remove the plug (hold the end of the hose above the water level in the tank to avoid sudden, uncontrolled flow of waste water). Rinse the tank with clean water. Inspect the recovery and drain hoses; replace if kinked or damaged.
- 3 To empty the solution tank, pull the Solution Drain Hose (21) off the elbow. Direct the hose to a designated waste water "DISPOSAL SITE". Rinse the tank with clean water. Inspect the solution hoses; replace if kinked or damaged.
- 4 Remove the brush, rinse with warm water and remove any built-up string, hair or carpet fibers.
- 5 Disconnect the Recovery Hoses C1 and C2 (See Figure 4) from the Recovery Tank Dome Lid (13) and flush with warm water to wash any debris out of the Recovery Hose and Vacuum Shoe. Do not flush hose C3 as this connects to the vacuum motor.
- 6 Wipe the machine with a damp cloth. Do not use abrasive chemicals or solvents.
- 7 Perform any required maintenance before storage. See *Maintenance Schedule*.
- 8 Store the machine indoors in a clean, dry place with the tank dome lid open. Keep from freezing.
- 9 Place the machine in the storage position. This will prevent the brush from taking a set which will increase the brush life and maintain the performance of the brush. Lift up on the Brush Lift Lever (7) until the lever locks into the up storage position.

## MAINTENANCE SCHEDULE

MAINTENANCE ITEM	Daily	Weekly	Yearly
Check / Clean Power Brush	X		
Check / Clean Tanks & Hoses	X		
Check / Clean Vacuum Shut-Off Float	X		
Clean Vacuum Shoe	X		
Clean "Maintenance" Spray Nozzle		X	
Inspect & Clean Solution Filter		X	
*Flush a vinegar mixture through solution system			X
**Check Carbon Brushes			X

\* Once a year or after 300 operating hours flush a white vinegar mixture (one quart vinegar to two gallons of water) through the machine. This will help prevent a build-up of alkaline residue in the solution system.

\*\* Have a Nilfisk service technician check the vacuum motor carbon brushes once a year or after 300 operating hours. The brush motor carbon brushes check every 500 hours or once a year.

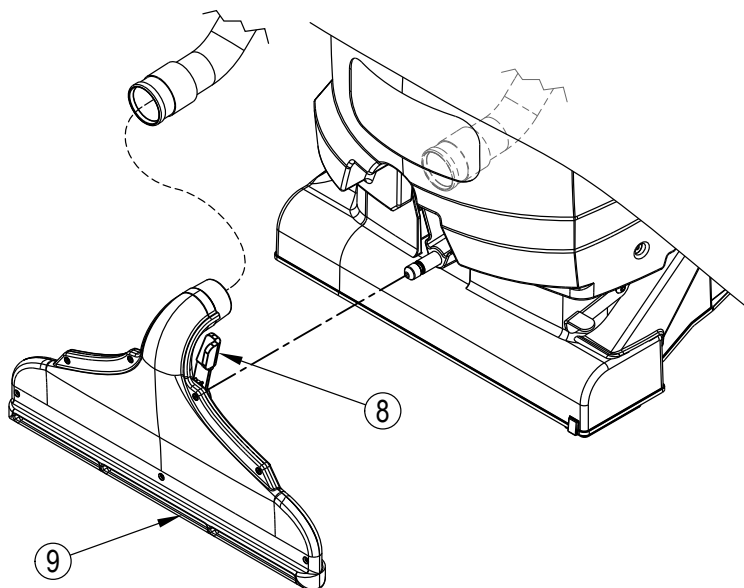
## IMPORTANT!

Motor damage resulting from failure to service the carbon brushes is not covered under warranty. See the Limited Warranty Statement.

## VACUUM SHOE MAINTENANCE

Check the vacuum shoe daily. Remove any built-up string, hair or carpet fibers. See Figure 7. Push and hold in the Vacuum Shoe Release Lever (8) and slide the Vacuum Shoe (9) off of its mounting pin. Then disconnect the recovery hose from the vacuum shoe.

FIGURE 7



## SPRAY NOZZLE MAINTENANCE

Remove the Maintenance Spray Nozzle (A) once a week. See Figure 8. Turn the nozzle 1/4 turn counterclockwise to remove. Soak the nozzle overnight in vinegar to remove chemical deposits. Do not use pins, wire, or similar to clean nozzle as this could destroy spray pattern.

## SOLUTION FILTER MAINTENANCE

Once a week (or more often if necessary), inspect and clean the Solution Filter (10). Drain the recovery and solution tanks. Lift the recovery tank from the machine and set it off to the side. See Figure 4. Keep the solution hose connected and turn the Filter Assembly (E) 1/4 turn counterclockwise to loosen. Pull the filter assembly straight up and out of the solution tank. Reinstall after cleaning by following steps in reverse order.

## POWER CORD MAINTENANCE

Once a week (or more often if necessary), check the power cord for cracked or damaged insulation, exposed wires in the cord or plug, and damaged or missing ground pin. Replace damaged cord or plug **immediately**.

## POWER BRUSH MAINTENANCE

Check the brush daily. Remove any built-up string, hair or carpet fibers. When the machine is not in use it should be placed in the storage position. This will prevent the brush from taking a set which will increase the brush life and maintain the performance of the brush.

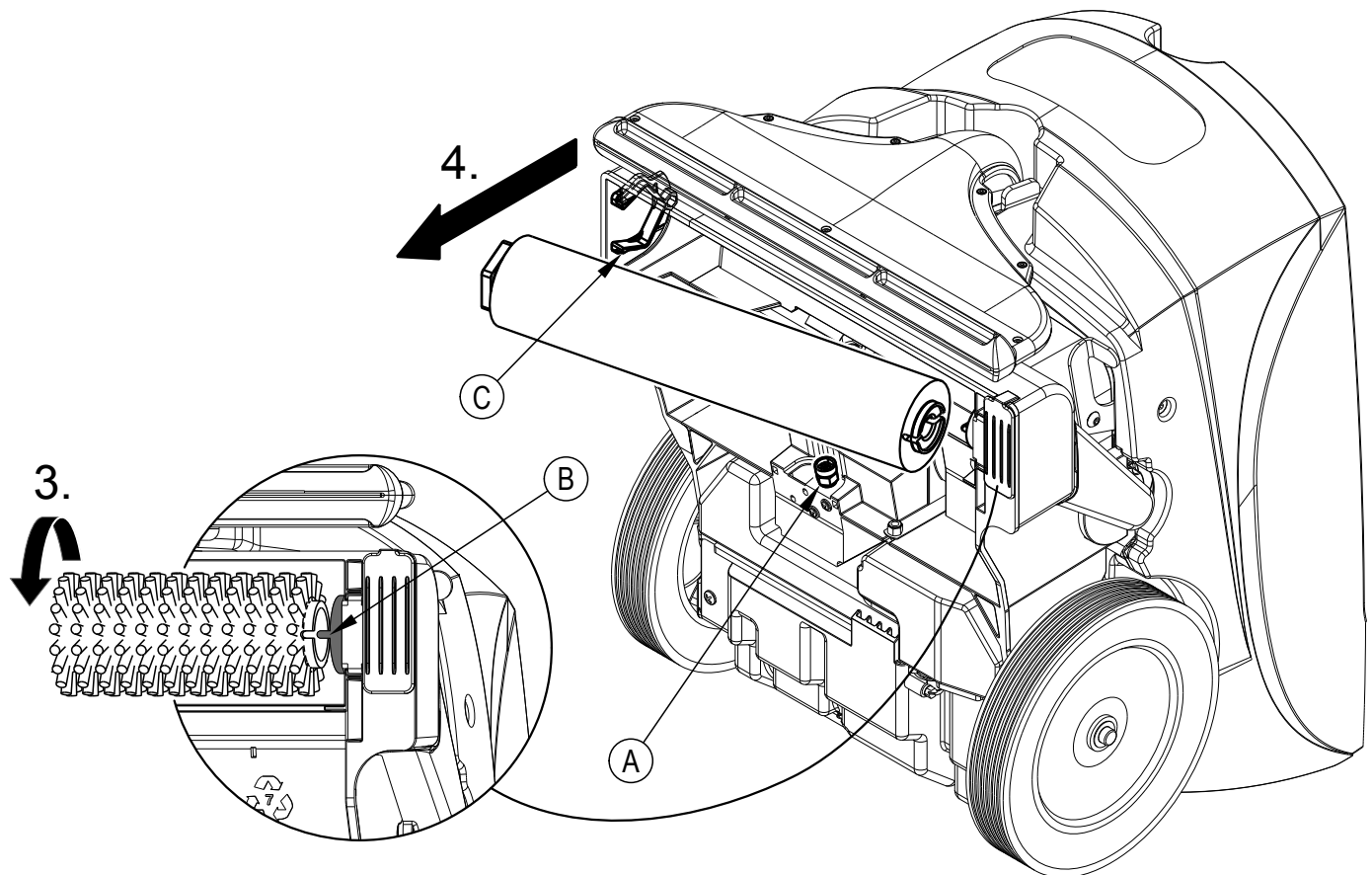
## REMOVING THE BRUSH

### ⚠ CAUTION!

Turn the power switch off (O) and unplug the machine, before changing the brushes.

- 1 Empty both the recovery and solution tanks. Open the recovery tank dome lid. Lift the recovery tank from the machine and set it off to the side.
- 2 Place the Handle Assembly (23) into a vertical position and tip the machine over onto its back.
- 3 See Figure 8. Rotate the brush until the Drive Lug (B) is in a position where the fins on the drive lug are parallel to the floor.
- 4 Grab the brush at the end with the Brush Retainer Clip (C) and pull straight out.
- 5 Install a new brush at the drive lug end first then push in the other brush end in until it snaps into the retainer clip.

FIGURE 8



## TROUBLESHOOTING

If the possible causes listed below are not the source of trouble, it is a symptom of something more serious. Contact your Nilfisk Service Center immediately for service.

### TRIPPING THE CIRCUIT BREAKER

The Circuit Breaker (26) is located on the Control Panel; it protects the electrical circuit and brush motor from damage due to overload conditions. If the circuit breaker is tripped try to determine the cause.

Brush Circuit Breaker (5 Amp) Possible cause may be:

- 1 Debris wrapped around the brush drive (remove debris)
- 2 Electrical short circuit (have your Nilfisk Service Center or qualified electrician check the machine)

Once the problem has been corrected, push the button in to reset the circuit breaker. If the button does not stay in, wait 5 minutes and try again. If the circuit breaker trips repeatedly, call your Nilfisk Service Center for service.

### POOR WATER PICKUP

Possible causes may be:

- 1 Vacuum Mode Selector Knob (3) is set to the wrong mode or not properly seated (rotate knob fully to align with arrow icon)
- 2 Recovery Tank Full (empty recovery tank)
- 3 Open recovery tank drain hose (secure drain hose cap or replace)
- 4 Recovery hose not connected at vacuum shoe (connect hose to vacuum shoe)
- 5 Recovery hoses not connected to the correct ports in the dome lid (connect hoses to correct ports)
- 6 Recovery hose is kinked or damaged (replace the hose)
- 7 Debris caught in vacuum shoe, mode selector paddle or recovery hose (clean vacuum shoe, mode selector and recovery hose)
- 8 Recovery tank dome lid gasket leak (replace gasket)
- 9 Seal on mode selector paddle is worn or missing (replace seal)

### INADEQUATE SOLUTION FLOW

Possible causes may be:


- 1 Solution tank empty (fill solution tank)
- 2 Solution lines or solution filter clogged (flush lines and filter)
- 3 Solution line not connected to filter assembly (connect solution line)
- 4 Spray nozzle is plugged (clean spray nozzle)

## ACCESSORIES / OPTIONS

In addition to the standard components, the machine can be equipped with the following accessories/options, according to the machine's specific use.

- Brushes with harder or softer bristles
- Upholstery hand tool
- Different wand and hose options

## TECHNICAL SPECIFICATIONS (as installed and tested on the unit)

Model		Nilfisk ES300
Model No.		56265503
Voltage/frequency	V / Hz	220 -240 / 50-60
Rated Current	Amp	7.6
Protection Class (electrical)		
Protection Grade		IPX4
Sound Pressure Level IEC 60335-2-68: 2012 Amend. 1:2005, ISO 11203	dB(A)/20µPa	≤70
Vibrations at the Hand Controls IEC 60335-2-68: 2012 Amend. 1:2005, EN ISO 5349-1: 2001	m/s <sup>2</sup>	0.39
Machine Width	inch / cm	19.25 / 48.9
Minimum machine height with adjustable handlebar	inch / cm	32 / 81.3
Maximum machine height with adjustable handlebar	inch / cm	46.5 / 118
Minimum machine length with adjustable handlebar	inch / cm	28 / 71.1
Maximum machine length with adjustable handlebar	inch / cm	48.25 / 122.5
Solution Tank Capacity	Gallon / L	9 / 34
Recovery Tank Capacity	Gallon / L	7 / 26
Gross Weight*	lbs/kg	102 / 46.3

### Material Composition and Recyclability

Type	% of machine weight	% recyclable
Aluminum	5%	100%
Electrical / motors / engines - misc	23%	39%
Ferrous metals	3%	100%
Harnesses / cables	1%	83%
Liquids	0%	0%
Plastic - non-recyclable	10%	0%
Plastic - recyclable	10%	100%
Polyethylene	42%	90%
Rubber	7%	33%



**İÇİNDEKİLER**

	<b>Sayfa</b>
<b>Giriş</b> .....	B-3
Parçalar ve Servis .....	B-3
Tanıtıcı Plaka .....	B-3
Makinenin Ambalajdan Çıkartılması .....	B-3
Önlemler ve Uyarılar .....	B-4
Topraklama Talimatları .....	B-5
<b>Makinenizi Tanıyın – ES300</b> .....	B-6 – B-7
<b>Kontrol Panelinizi Tanıyın</b> .....	B-8
<b>Makinenin Kullanıma Hazırlanması</b>	
Çözelti Deposunun Doldurulması .....	B-9
Kullanım Öncesi .....	B-9
Haliya Ön-Püskürtme Yapılması .....	B-9
Temizleme Planı .....	B-9
<b>İşletim</b>	
Makinenin Çalıştırılması .....	B-10 – B-11
Eklentilerin Kullanılması .....	B-10 – B-11
Sert Zemin Setleri .....	B-11
<b>Kullanım Sonrası</b>	
Makinenin Kullanımından Sonra .....	B-12
<b>Bakım</b>	
Bakım Programı .....	B-12
Vakum Pabucu Bakımı .....	B-12
Püskürtme Ağızlığı Bakımı .....	B-13
Elektrik Kablosu Bakımı .....	B-13
Elektrikli Fırça Bakımı .....	B-13
Fırçanın Sökülmesi .....	B-13
Sorun Giderme .....	B-14
Aksesuarlar / Seçenekler .....	B-15
Teknik Özellikler .....	B-15

## GİRİŞ

Bu kılavuz Nilfisk™ halı yıkama makinenizden en iyi verimi almanıza yardımcı olacaktır. Makineyi kullanmaya başlamadan önce kılavuzu dikkatlice okuyun.

Bu ürün yalnızca ticari kullanım içindir.

## PARÇALAR VE SERVİS

Gerekli hallerde onarım işlemleri, fabrikada eğitilmiş servis personeli istihdam eden ve Nilfisk orijinal yedek parçaları ve aksesuarlarını kullanan Yetkili Nilfisk Servis Merkeziniz tarafından gerçekleştirilmelidir.

## DEĞİŞİKLİKLER

Temizlik makinesinde, kapasiteyi ve güvenli çalıştırmayı etkileyen değişiklikler ve eklemeler, Nilfisk, Inc. şirketinden önceden yazılı onay almadan müşteri veya kullanıcı tarafından gerçekleştirilemez. İzinsiz değişiklikler makine garantisini geçersiz kılar ve ortaya çıkan kazalardan müşteri sorumlu olur.

## TANITICI PLAKA

Makinenizin Model Numarası (Parça Numarası olarak da bilinir) ve Seri Numarası, makinenin arka tabanında yer alan Tanıtıcı Plaka üzerinde gösterilmektedir. Makine için yedek parça sipariş ederken bu bilginin verilmesi gerekmektedir. Sonradan bakmak gerektiğinde kolaylık olması açısından makinenizin Parça Numarası ile Seri Numarasını aşağıdaki alana yazmanızı öneririz.

PARÇA NO. \_\_\_\_\_

SERİ NO. \_\_\_\_\_

## MAKİNEİN AMBALAJDAN ÇIKARTILMASI

Makineyi teslim aldıktan sonra, kolyi ve makinenin kendisini dikkatle inceleyerek herhangi bir hasar olup olmadığına bakın. Hasar olduğu açıkça belliyse, sonradan incelenebilmesi için kolyi saklayın. Tespit edilen navlun hasarını bildirmek üzere derhal Nilfisk Müşteri Hizmetleri Departmanı ile irtibata geçin.

## ÖNEMLİ GÜVENLİK TALİMATLARI

Bu makine yalnızca ticari kullanım içindir; yani, evlerde değil sözcümlü otel, okul, hastane, mağaza ve büro gibi yerlerde kullanılmalıdır.

Herhangi bir elektrikli aleti kullanırken, aşağıdakiler dahil olmak üzere temel önlemlere daima dikkat edilmelidir:



Bu cihazı kullanmadan önce bütün talimatları okuyun.

### **UYARI!**

Yangın, elektrik çarpması veya yaralanma riskini azaltmak için:

- Cihaz fişe takılıyken yanından ayrılmayın. Kullanımda değilken ve servis işlemi yapmadan önce ünitenin fişini elektrik prizinden çıkarın.
- Elektrik çarpmasından kaçınmak için yağmur altında bırakmayın. Kapalı ortamda saklayın.
- Bu makine, düşük fiziksel, duyuşal veya zihni kapasitede olan ya da bilgisiz ve deneyimsiz kişilerce (çocuklar dahil) kullanılmamalıdır.
- Oyuncak olarak kullanılmasına izin vermeyin. Çocukların yakınında kullanıldığında gerekli dikkat gösterilmelidir.
- Makineyi sadece bu kılavuzda açıklanan şekilde kullanın. Sadece üretici tarafından tavsiye edilen eklentileri kullanın.
- Hasarlı kablo veya fiş ile kullanmayın. Cihazın gerektiği gibi çalışmaması, düşürülmesi, hasar görmesi, açık ortamda bırakılması veya suya düşürülmesi halinde, bir servis merkezine götürün.
- Kabloyu çekmeyin veya kablo ile taşımayın, kabloyu tutacak olarak kullanmayın, kablo üzerine kapı kapamayın ya da kabloyu keskin kenarlardan veya köşelerden çekmeyin. Cihazı kablosunun üzerinden geçirmeyin. Kabloyu sıcak yüzeylerden uzak tutun.
- Kablodan çekerek prizden çıkarmayın. Prizden çıkarmak için, kabloyu çekmek yerine fişten tutarak çıkartın.
- Fişi, kabloyu veya cihazı ıslak ellerle tutmayın.
- Deliklerin içine herhangi bir cisim koymayın. Herhangi bir delik tıkalı durumda iken kullanmayın; toz, tüy, saç ve hava akımını azaltacak cisimleri temizleyin.
- Bol giysileri, saçları, parmakları ve vücudun bütün uzuvlarını deliklerden ve hareketli parçalardan uzak tutun.
- Sigara, kibrit ya da sıcak kül gibi yanan veya duman çıkaran maddeleri, ya da sağlığa zararlı tozları almayın.
- Fişten çıkarmadan önce bütün kumandaları kapatın.
- Merdivenlerde temizlik yaparken özellikle dikkatli olun.
- Benzin gibi yanıcı ya da patlayıcı sıvıları almak için veya bunların bulunduğu alanlarda kullanmayın.
- Vakum egzozundan köpük veya sıvı gelirse, cihazı derhal kapatın. Şamandıra topunun rahatça hareket etmesini engelleyen hiçbir yabancı cisim bulunmadığından emin olun. Sorun devam ederse Nilfisk'e başvurun.
- Püskürtme ağızlığından çıkan sıvı, sıcaklığı, basıncı ya da kimyasal içeriğinden dolayı tehlikeli olabilir.
- Sadece cihazla birlikte verilen ya da kullanma kılavuzunda belirtilen fırçaları kullanın. Başka fırçaların kullanılması emniyet tehlikesi yaratabilir.

## BU TALİMATLARI KAYBETMEYİN

## TOPRAKLAMA TALİMATLARI

Bu cihaz topraklanmalıdır. Elektriksel arıza yapması halinde, topraklama elektrik çarpması riskini azaltmak üzere elektrik akımı için en az dirence sahip bir yol sağlar. Bu cihaz bir ekipman topraklama iletkeni ve topraklama fişine sahip bir kablo ile donatılmıştır. Fiş, bütün yerel düzenleme ve kurallara uygun olarak tesis edilen ve topraklanan uygun bir prize takılmalıdır.

### **TEHLİKE!**

Ekipman topraklama iletkeninin uygun olmayan bağlantısı elektrik çarpması riskine yol açabilir. Prizin uygun biçimde topraklandığından emin değilseniz, yetkili bir elektrikçi veya servis personeline danışınız. Cihazla birlikte verilen fişte değişiklik yapmayın. Prize uymazsa, yetkili bir elektrikçiye uygun bir priz taktırın.

Topraklama pimi hasarlı veya kırıkta fişi değiştirin.

Kablodaki Yeşil (veya Yeşil/Sarı) tel topraklama telidir. Bir fişi değiştirirken, bu tel sadece topraklama pimine bağlanmalıdır.

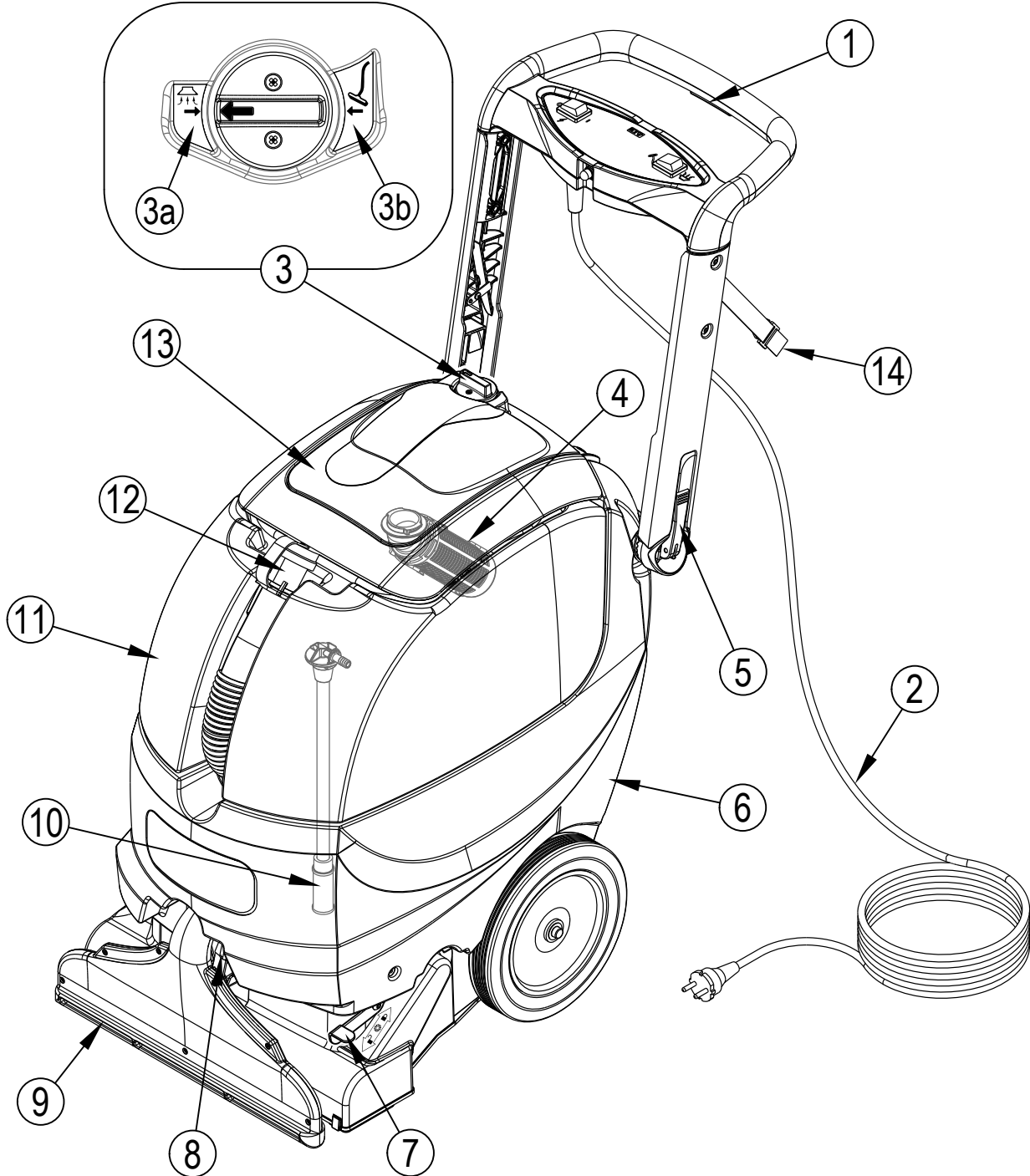
Bu makineye bağlanan uzatma kabloları, üç uçlu fişlere ve prizlere sahip olan 2,5 mm<sup>2</sup> (12 AWG), üç telli kablolar olmalıdır. 15 metreden (50 ft) daha uzun olan uzatma kablolarını KULLANMAYIN.

### **UYARI!**

- Eğer bir uzatma kablosu kullanılırsa, fiş ve priz su geçirmez yapıda olmalıdır.
- Yetersiz uzatma kabloları tehlikeli olabilir.

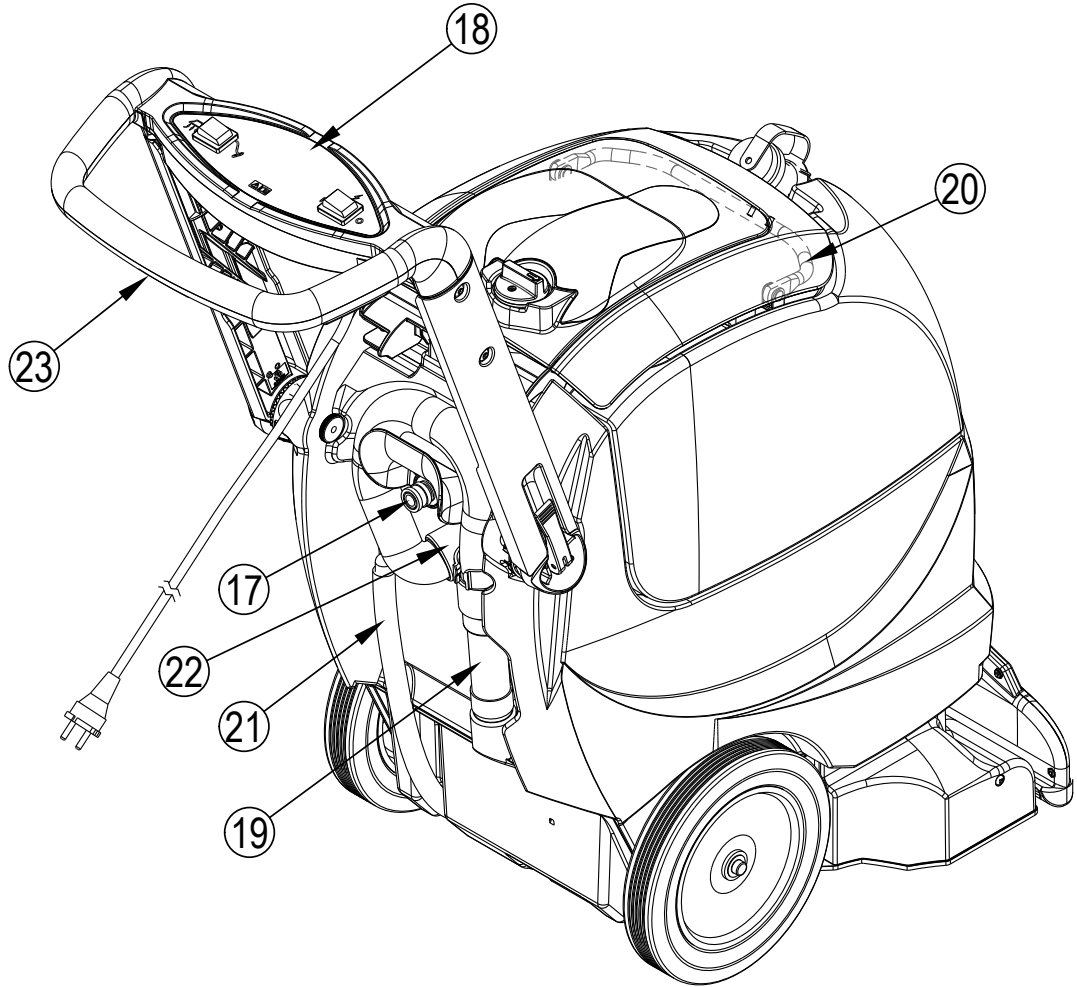
**MAKİNEZİ TANIYIN – ES300**

- |    |  |    |                                  |
|----|--|----|----------------------------------|
| 1  | Çözelti Şalteri                              | 7  | Fırça Deposu Kaldırma Kolu       |
| 2  | Elektrik Kablosu                             | 8  | Vakum Pabucu Bırakma Kolu        |
| 3  | Vakum Modu Seçme Düğmesi                     | 9  | Vakum Pabucu                     |
| 3a | Vakum Pabucu Modu                            | 10 | Çözelti Filtresi                 |
| 3b | Aksesuar Modu                                | 11 | Geri Alma Deposu                 |
| 4  | Otomatik Şamandıra Kapatma                   | 12 | Geri Alma Deposu Tahliye Hortumu |
| 5  | Tutamak Açısı Ayarı Bırakma Kolları (2 adet) | 13 | Geri Alma Deposu Üst Kapağı      |
| 6  | Çözelti Deposu                               | 14 | Kablo Tutucu Kemer               |



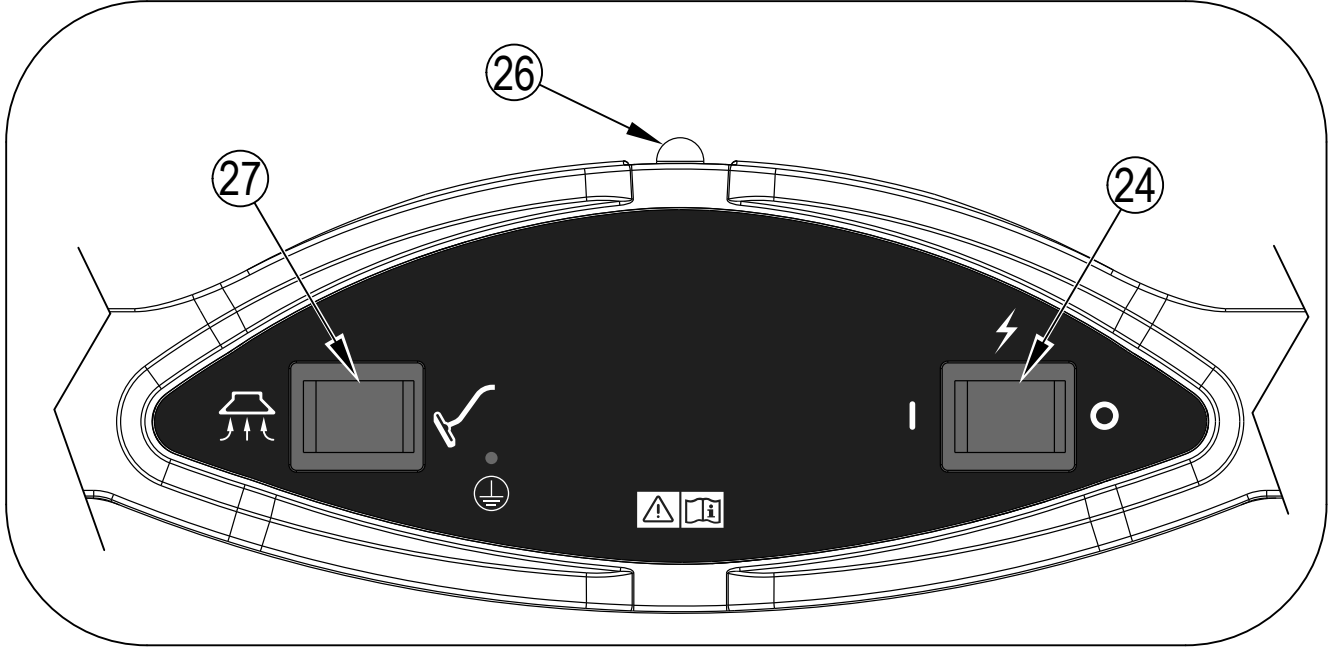
**MAKİNEİNİZİ TANIYIN – ES300**

- 17 Aksesuar Çözelti Portu
- 18 Kontrol Paneli
- 19 El Aleti (İsteğe bağlı)
- 20 Geri Alma Deposu Tutamağı
- 21 Çözelti Tahliye Hortumu / Seviye Göstergesi
- 22 Aksesuar Vakum Hortumu Portu
- 23 Tutamak Tertibatı



**KONTROL PANELİNİZİ TANIYIN**

- 24 Ana Güç Şalteri
- 26 Devre Kesici 5 Amp
- 27 Vakum Pabucu / Aksesuar Şalteri



## MAKİNEİN KULLANIMA HAZIRLANMASI

### ÇÖZELTİ DEPOSUNUN DOLDURULMASI

- 1 Güç anahtarını kapalı (O) konuma çevirin ve ardından makinenin fişini prizden çekin.
- 2 Geri Alma Deposu Üst Kapağını (13) açın. Geri Alma Deposu Tutamağını (20) kullanın ve geri alma deposunu makineden kaldırmak için makineden kaldırmak ve ardından yan tarafa bırakın.
- 3 Deterjan kabı üzerindeki seyreltme talimatlarını okuyun. Ardından makinenizin çözelti deposunun su kapasitesi 34 Litre (9 Galon) ile karıştırılacak uygun miktarda deterjanı hesaplayın.

### ⚠ DİKKAT!

Halı yıkama için geliştirilen, az köpüren sıvı deterjanlar kullanın.

- 4 Bkz. Şekil 4. Deterjanı çözelti deposuna dökün ve depoyu sıcak su (azami sıcaklık 54°C/130°F) ile doldurun. Çözelti deposunu fazla doldurmayın. Azami dolum noktası çözelti seviyesinin depo deliği (A) üzerindeki dudağın alt kısmına eriştiği noktadır. **NOT:** Çözelti Deposu, depo doldurulurken hortumun ucunu sabitlemek için kullanılabilecek dahili bir Hortum Tutucuya (B) sahiptir.
- 5 Geri Alma Deposunu tekrar makineye takın. Geri Alma Deposunun Çözelti Deposuna uygun şekilde oturtulduğundan emin olun.
- 6 Üst Kapağı (13) tekrar geri alma deposu üzerine yerleştirin.

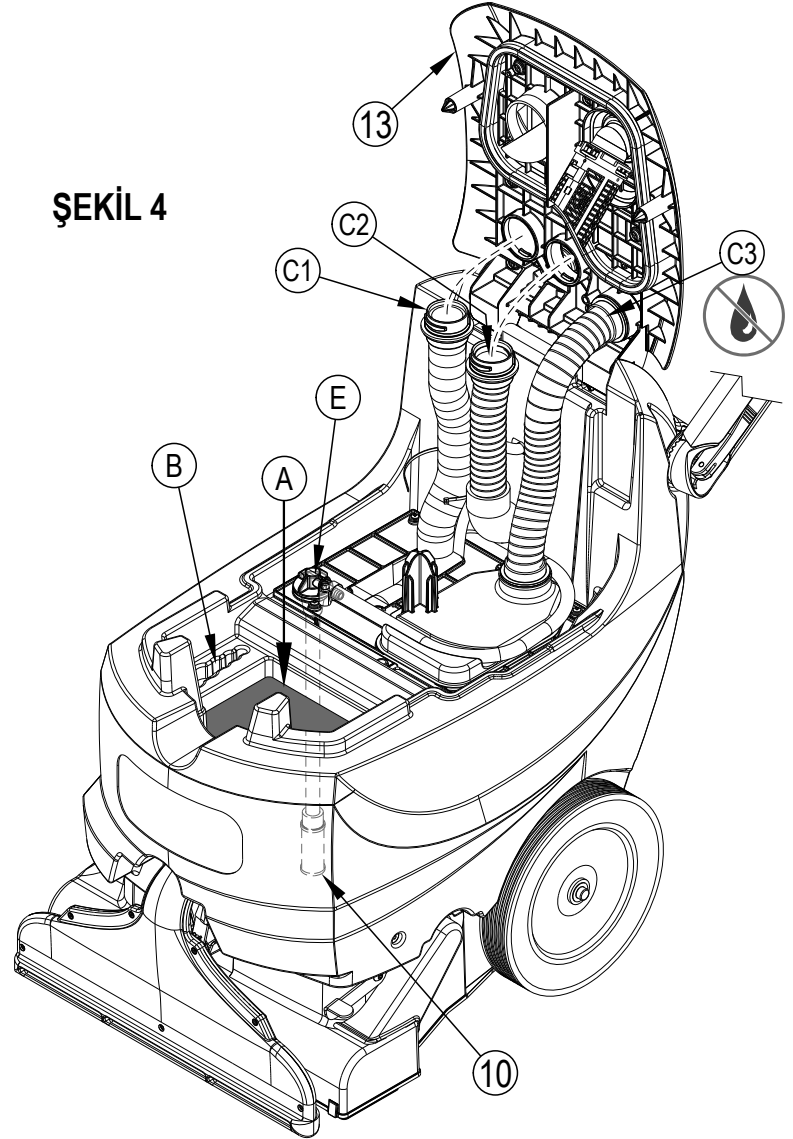
**NOT:** Üst kapağa bağlanan hortumlar (C1, C2 & C3) hortumun üst kapak deliğinin içine doğru itilmesi ve kilitlemek için 1/4 tur saat yönünde çevrilmesi yoluyla takılır.

**Hortum C1** = Vakum Pabucu Hortumu

**Hortum C2** = Aksesuar (çubuk veya el aleti) Hortumu

**Hortum C3** = Vakum Motoru Hortumu (Bu hortuma su veya köpük girmesine İzin Vermeyin)

ŞEKİL 4



### MAKİNEİN KULLANILMASINDAN ÖNCE

Otomatik yıkama makinesini kullanmadan önce, temizlenecek olan halıyı iyice süpürün.

### HALIYA ÖN PÜSKÜRTME YAPILMASI

Yıkamadan önce lekeler ve yoğun olarak basılan alanlara ön-püskürtme yapın. Taşınabilir şişeli püskürtücü ve basınçlı bir "Hudson" tipi püskürtücü kullanın. Ön spreyi deterjan üreticisinin talimatlarına göre karıştırın.

### TEMİZLEME PLANI

Yıkamaya başlamadan önce, temizlenecek alana bakın ve işinizi planlayın. Alanı bölümlere ayırın. Her geçişi 2 inç (5 cm) üst üste bindirin.



## MAKİNEİNİN ÇALIŞTIRILMASI

- 1 Bu kılavuzun *Makinenin Kullanıma Hazırlanması* bölümünde yer alan talimatları izleyin.
- 2 **Bkz. Şekil 5.** Tutamak konumunun kilidini açmak için Tutamak Açısı Ayarı Bırakma Kollarını (5) dışarı çekin. Tutamak yüksekliğini operatör için en konforlu konuma ayarlayın. Tutamağı bulunduğu konuma kilitlemek için Kolları (5) içeri itin.
- 3 Vakum Pabucu / Aksesuar Şalterini (27) vakum pabucu konumuna doğru bastırın.
- 4 Fırçanın zemine temas etmesi için Fırça Deposu Kolunun (7) kilidini açın (aşağı bastırın).
- 5 Yıkama için Vakum Modu Seçme Düğmesini (3) Vakum Pabucu konumuna (3a) çevirin. **NOT:** Tam bir yalıtım elde etmek için Düğme (3) iki ok birbirine bakana kadar tam olarak çevrilmelidir.
- 6 Makineyi uygun şekilde topraklanmış bir prize takın. Vakum motorunu, çözelti pompasını ve fırça motorunu çalıştırmak için Ana Güç Şalterini (24) Açık (I) konuma çevirin.
- 7 Çözeltiyi bırakmak için Çözelti Şalterini (1) sürekli basılı tutun. Çözelti Şalteri (1) bırakıldığında çözelti akışı duracaktır.
- 8 Makineyi düz bir çizgi boyunca çekerek temizliğe başlayın ve her geçişi 2 inç (5 cm) üst üste bindirin. Halıdan çözeltinin tam olarak çekilmesini sağlamak için dönüşlerden önce Çözelti Şalterini (1) bırakın.
- 9 Sıvının Geri Alma Deposu Üst Kapağından (13) girişini izleyin. Geri alma deposunda çok miktarda köpük varsa, geri alma deposuna köpük giderici bir kimyasal madde ekleyin.

## ⚠ DİKKAT!

Sıvı veya köpük vakum motoruna girmeden önce geri alma deposunu boşaltın.

Geri alma deposuna sıvı girişi çok az veya hiç yoksa, Çözelti Tahliye Hortumunu / Seviye Göstergesini (21) kontrol edin, çözelti deposu boş olabilir. Çözelti deposunu su ve uygun miktarda temizleme deterjanı ile tekrar doldurun

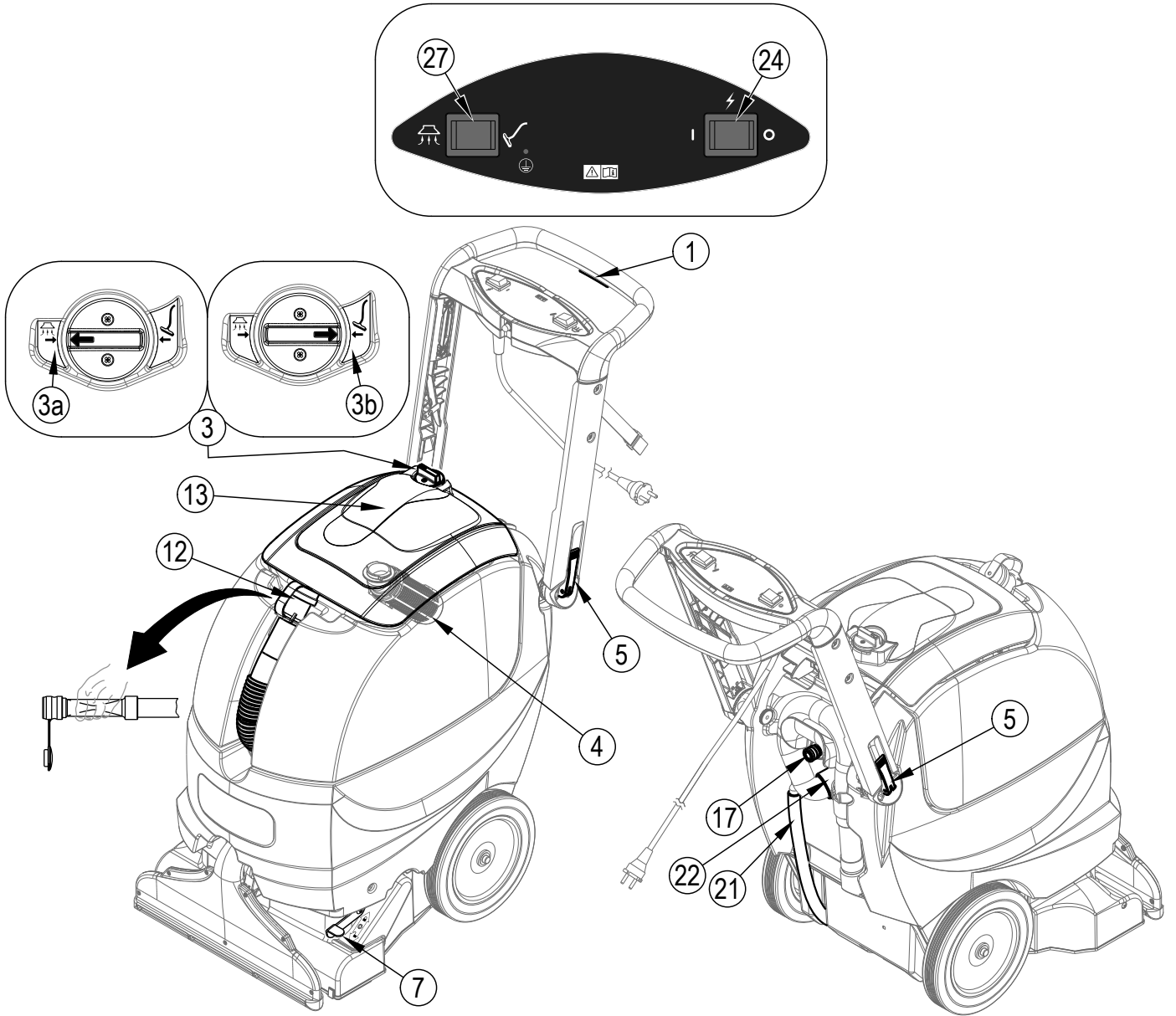
- 10 Geri alma deposu, geri alma deposu dolduğunda vakum sistemini bloke etmek için bir Otomatik Şamandıra Kapatma Mekanizmasına (4) sahiptir. Vakum motorunun sesindeki ani değişim ile şamandıranın ne zaman kapandığını söyleyebilirsiniz. Şamandıra kapandığında, geri alma deposu boşaltılmalıdır. Şamandıra kapalı iken makine çözeltiyi bırakmaya devam edebilir, ancak suyu **toplamaz**.
- 11 Operatör temizlemeyi durdurmak istediğinde veya geri alma deposu dolu olduğunda, Çözelti Şalterini (1) bırakın. Ardından ana güç şalterini Kapalı (O) konuma çevirin ve makinenin fişini prizden çekin. Fırçayı depolama konumuna yerleştirmek için Fırça Deposu Kaldırma Kolunu (7) kilitleyin (yukarı çekin).
- 12 Makineyi belirtilen bir atık su "İMHA SAHASINA" götürün ve geri alma deposunu boşaltın. Boşaltmak için, Geri Alma Deposu Tahliye Hortumunu (12) ön depolama askısından çekin ve ardından fişi çıkartın (atık suyun aniden kontrolsüz şekilde akmasını önlemek için hortumun ucunu depodaki su seviyesinin üzerinde tutun). Çözelti deposunu tekrar doldurun ve temizlemeye devam edin.

## EKLENTİLERİN KULLANILMASI

Aksesuar aletleri kullanmak için:

- 1 Vakum Modu Seçme Düğmesini (3) eklentiler için Aksesuar konumuna (3b) çevirin. **NOT:** Tam bir yalıtım elde etmek için Düğme (3) iki ok birbirine bakana kadar tam olarak çevrilmelidir.
- 2 Aksesuarın geri alma hortumunu makinenin Aksesuar Vakum Portuna (22) bağlayın.
- 3 Aksesuarın çözelti hortumunu makinenin Aksesuar Çözelti Portuna (17) bağlayın.
- 4 Vakum Pabucu / Aksesuar Şalterini (27) aksesuar konumuna doğru bastırın.
- 5 Vakum motorunu ve çözelti pompasını çalıştırmak için Ana Güç Şalterini (24) bastırarak Açık (I) konuma alın. ES300 ile birlikte kullanılacak aksesuarlar için Nilfisk Distribütörünüze başvurun.

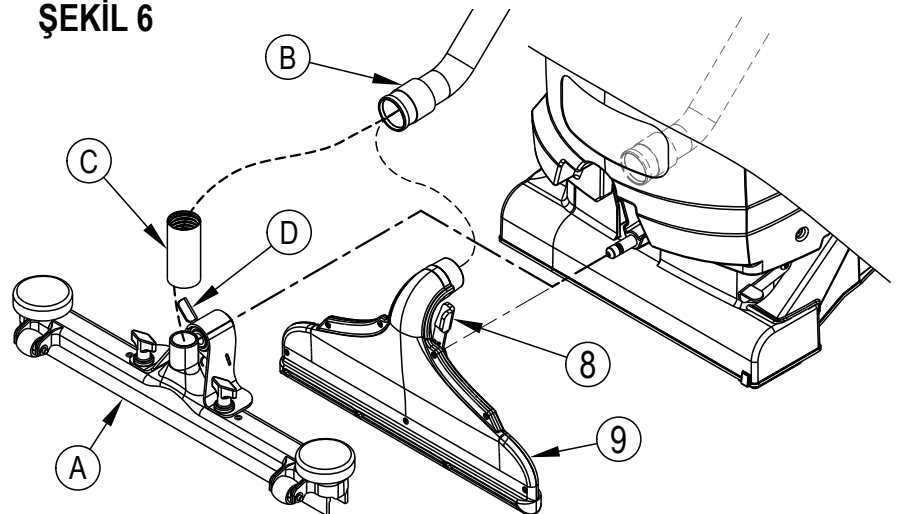
## ŞEKİL 5



## SERT ZEMİN SETLERİ

Vakum pabucu sökülerek sert zeminlerde kullanıma yönelik isteğe bağlı bir Lastik Silecek Aleti (A) ile değiştirilebilir. Bkz. Şekil 6. Vakum Pabucu Bırakma Kolunu (8) basılı tutun ve Vakum Pabucunu (9) bağlantı piminden kaydırarak ayırın. Ardından Geri Alma Hortumunu (B) vakum pabucundan ayırın ve Hortum Ağzına (C) ve sonra Lastik Silecek Aletine (A) bağlayın. Lastik silecek aletini makineye vakum pabucu için kullanılan bağlantı konumunda takın, Bırakma Kolunu (D) itin ve lastik silecek aletini yerine doğru kaydırın. **NOT:** Sert zemin uygulamaları farklı bir fırça kullanılmasını gerektirebilir. Fırça seçme kılavuzu ve parça numaraları Parça Listesi'nde bulunabilir.

## ŞEKİL 6



**MAKİNEİNİN KULLANIMINDAN SONRA**

- 1 Güç Şalterini KAPALI (O) konuma çevirin. Elektrik Kablosunu (2) çıkartın. Kabloyu sarın ve Kablo Tutucu Kemerinden (14) asın.
- 2 Geri alma deposunu boşaltmak için, Geri Alma Tahliye Hortumunu (12) askısından alın. Hortumu belirtilen atık su "İMHA SAHASINA" doğru tutun ve tapayı çıkartın (atık suyun aniden kontrolsüz şekilde akmasını önlemek için hortumun ucunu depodaki su seviyesinin üzerinde tutun). Depoyu temiz su ile durulayın. Geri alma ve tahliye hortumlarını kontrol edin; dolaşmış veya hasar görmüş ise değiştirin.
- 3 Çözelti deposunu boşaltmak için, Çözelti Tahliye Hortumunu (21) dirsekten çekip çıkartın. Hortumu belirtilen bir atık su "İMHA SAHASINA" doğru tutun. Depoyu temiz su ile durulayın. Çözelti hortumlarını kontrol edin; dolaşmış veya hasar görmüş ise değiştirin.
- 4 Fırçayı sökün, ılık suyla yıkayın ve biriken iplik, saç ve halı liflerini alın.
- 5 Geri Alma Hortumlarını (C1 ve C2) (Bkz. Şekil 4) Geri Alma Deposu Üst Kapağında (13) ayırın ve Geri Alma Hortumu ve Vakum Pabucundan çöpleri gidermek için ılık su ile yıkayın. Hortumu (C3) yıkamayın zira bu hortum vakum motoruna bağlıdır.
- 6 Makineyi temiz, nemli bir bezle silin. Aşındırıcı kimyasallar veya çözücüler kullanmayın.
- 7 Saklamadan önce gereken bakım işlemlerini gerçekleştirin. *Bakım Programı*'na bakın.
- 8 Makineyi kapalı bir ortam içinde depo üst kapağı açık vaziyette temiz, kuru bir yerde saklayın. Donmaya karşı koruyun.
- 9 Makineyi saklama konumuna yerleştirin. Bu, fırçanın, fırça ömrünü artıracak ve fırçanın performansını koruyacak bir set almasını önleyecektir. Fırça Kaldırma Kolunu (7) kol yukarı saklama konumu içine kilitlenene kadar kaldırın.

**BAKIM PROGRAMI**

BAKIM KALEMİ	Günlük	Haftalık	Yıllık
Elektrikli Fırçanın Kontrolü / Temizlenmesi	X		
Depoların ve Hortumların Kontrolü / Temizlenmesi	X		
Vakum Kapatma Şamandırasının Kontrolü / Temizlenmesi	X		
Vakum Pabucunun Temizlenmesi	X		
"Bakım" Püskürtme Ağızlığının Temizlenmesi		X	
Çözelti Filtresinin Denetlenmesi ve Temizlenmesi		X	
*Çözelti sisteminin bir sirke karışımı geçirilerek yıkanması			X
**Karbon Fırçaların Kontrolü			X

\* Yılda bir defa veya 300 çalışma saatinden sonra bir beyaz sirke karışımını (2 galon (7,57 L) suya bir kuart (0,94 L) sirke) makineden geçirerek makineyi yıkayın. Bu, çözelti sisteminde bir alkali birikintisinin oluşmasını önlemeye yardımcı olacaktır.

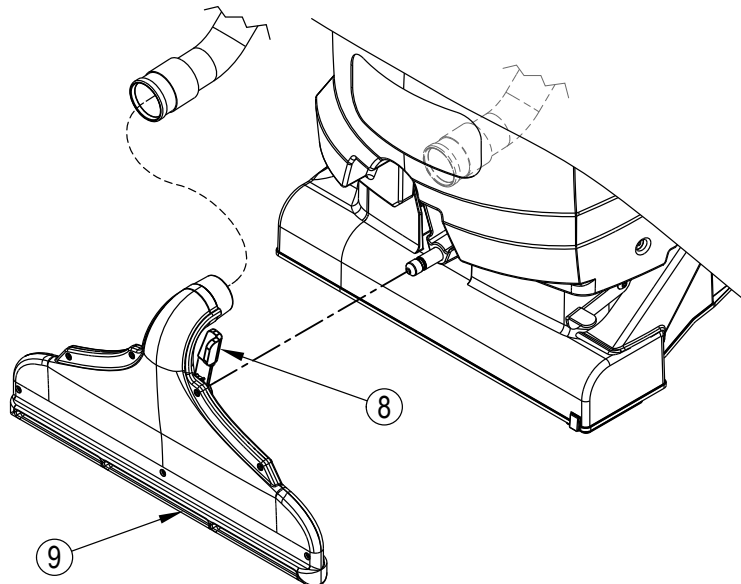
\*\* Yılda bir kez ya da 300 işletim saatinden sonra vakum motoru karbon fırçalarını Nilfisk servis teknisyenine kontrol ettirin. Yılda bir kez ya da her 500 saatte bir fırça motoru karbon fırçalarını kontrol edin.

**⚠ ÖNEMLİ!**

Karbon fırçalarda servis yapılmamasından kaynaklanan motor hasarı garanti kapsamında değildir. Sınırlı Garanti Beyanına bakınız.

**VAKUM PABUCU BAKIMI**

Vakum pabucunu günlük olarak kontrol edin. Biriken ip, saç veya halı liflerini temizleyin. Bkz. Şekil 7. Vakum Pabucu Bırakma Kolunu (8) basılı tutun ve Vakum Pabucunu (9) bağlantı piminden kaydırarak ayırın. Ardından geri alma hortumunu vakum pabucundan ayırın.

**ŞEKİL 7**

## PÜSKÜRTME AĞIZLIĞI BAKIMI

Bakım Püskürtme Ağızlığını (A) haftada bir çıkartın. Bkz. Şekil 8. Çıkartmak için ağızlığı 1/4 tur saatin aksi yönünde çevirin. Kimyasal kalıntıları gidermek için ağızlığı bir gece sirke içinde bırakın. Püskürtme şeklini bozabileceği için ağızlığı temizlemek amacıyla iğne, tel veya benzerlerini kullanmayın.

## ÇÖZELTİ FİLTRESİ BAKIMI

Haftada bir (veya gerekirse daha sık), Çözelti Filtresini (10) kontrol edip temizleyin. Geri alma ve çözelti depolarını boşaltın. Geri alma deposunu makineden kaldırın ve yan tarafa bırakın. Bkz. Şekil 4. Çözelti hortumunu bağlı halde bırakın ve gevşetmek için Filtre Tertibatını (E) 1/4 tur saatin aksi yönünde çevirin. Filtre tertibatını düz bir şekilde çözelti deposundan yukarı çekerek dışarı çıkartın. Adımları ters sırayla uygulayarak temizleme sonrasında tekrar takın.

## ELEKTRİK KABLOSU BAKIMI

Haftada bir defa (ya da gerekirse daha sık), elektrik kablosunu çatlak veya hasarlı izolasyona, kabloda veya fişte açığa çıkmış tellere ve hasarlı veya eksik toprak pimine karşı kontrol edin. Hasarlı kablo veya fişi **derhal** değiştirin.

## ELEKTRİKLİ FIRÇA BAKIMI

Fırçayı günlük olarak kontrol edin. Biriken ip, saç veya halı liflerini temizleyin. Makine kullanımda olmadığına depolama konumuna alınmalıdır. Bu, fırçanın, fırça ömrünü artıracak ve fırçanın performansını koruyacak bir set almasını önleyecektir.

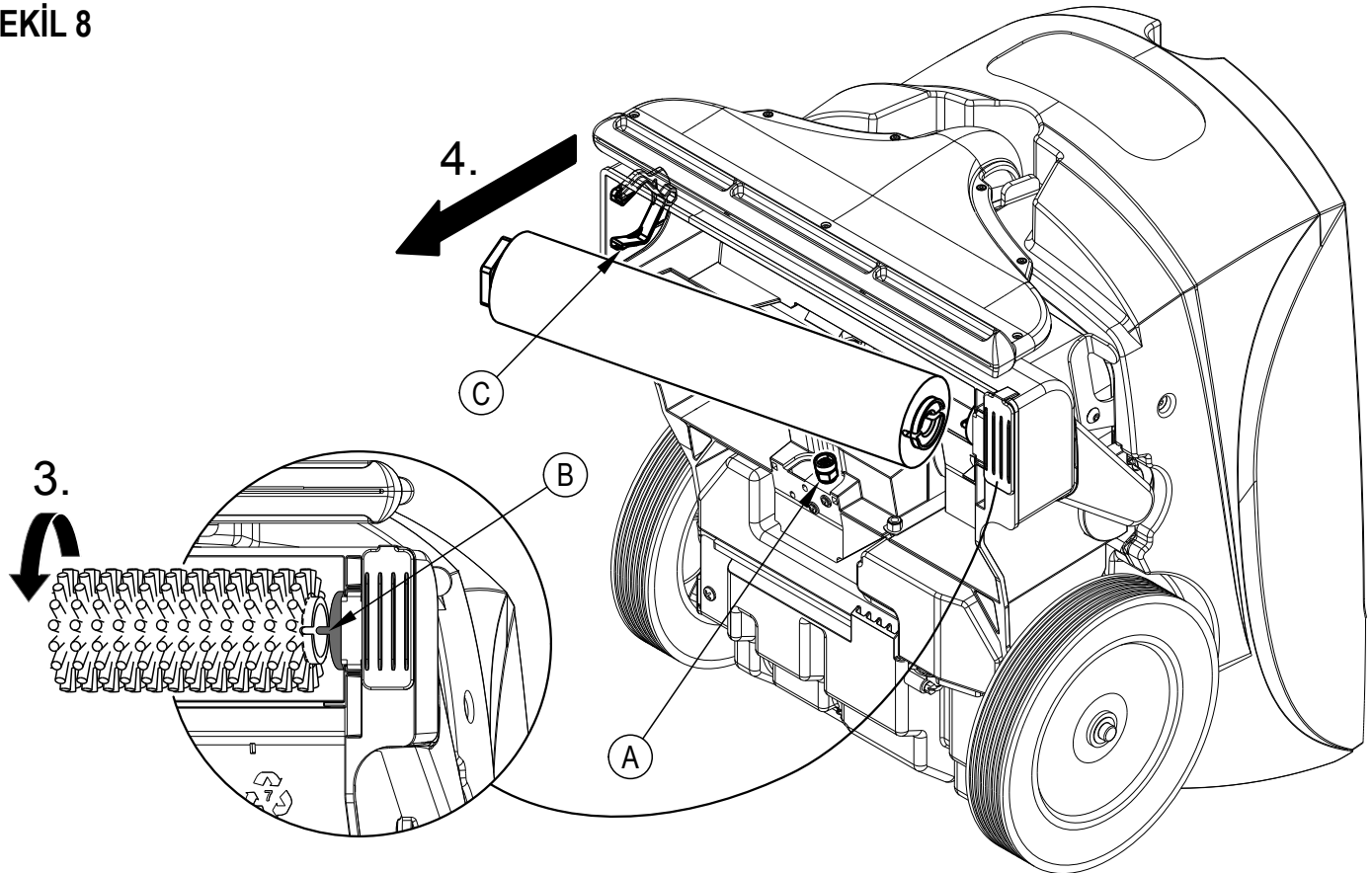
## FIRÇANIN SÖKÜLMESİ

### ⚠ DİKKAT!

Fırçaların değiştirilmesinden önce, güç şalterini kapatın (O) ve makinenin fişini prizden çekin.

- 1 Geri alma ve çözelti depolarını boşaltın. Geri alma deposu üst kapağını açın. Geri alma deposunu makineden kaldırın ve yan tarafa bırakın.
- 2 Tutamak Tertibatını (23) dikey bir konuma alın ve makineyi arka kısmı alta gelecek şekilde yatırın.
- 3 Bkz. Şekil 8. Tahrik Çıkıntısı (B), tahrik çıkıntısı üzerindeki kanatlar zemine paralel olacak bir konuma gelene kadar fırçayı döndürün.
- 4 Fırça Tutma Klipsi (C) ile fırçayı ucundan yakalayın ve düz bir şekilde dışarı çekerek çıkartın.
- 5 Öncelikle yeni fırçayı tahrik çıkıntısı ucuna taktıktan sonra tutucu klips içine oturma kadar diğer fırça ucunu içeri doğru bastırın.

## ŞEKİL 8



## SORUN GİDERME

Aşağıdaki sıralanan olası sebepler sorunun kaynağı değilse, bu daha ciddi bir sorun olduğunu gösterir. Servis için derhal Nilfisk Servis Merkezimize başvurun.

## DEVRE KESİCİNİN ATMASI

Devre Kesici (26) Kontrol Panelinde yer alır; elektrik devresini ve fırça motorunu aşırı yük koşullarına bağlı hasara karşı korur. Devre kesici atarsa, sebebini tespit etmeye çalışın.

Fırça Devre Kesicisi (5 Amp) Olası sebep şunlar olabilir:

- 1 Fırça tahriği etrafına çöp birikmiştir (çöpleri temizleyin)
- 2 Elektriksel kısa devre (makinenizi Nilfisk Servis Merkezimize veya yetkili elektrik teknisyenine kontrol ettirin)

Sorun giderildikten sonra, devre kesiciyi sıfırlamak için düğmeyi basarak içeri sokun. Düğme içeride kalmazsa, 5 dakika bekleyin ve tekrar deneyin. Devre kesici sürekli atıyorsa, servis için Nilfisk Servis Merkezimizi arayın.

## ZAYIF SU ÇEKME

Olası sebepler şunlar olabilir:

- 1 Vakum Modu Seçme Düğmesi (3) yanlış moda ayarlanmıştır ya da uygun şekilde oturtulmamıştır (ok simgesiyle tam olarak hizalamak için düğmeyi tam olarak döndürün)
- 2 Geri Alma Deposu Dolu (geri alma deposunu boşaltın)
- 3 Açık geri alma deposu tahliye hortumu (tahliye hortumu kapağını sabitleyin veya yerine takın)
- 4 Geri alma hortumu vakum pabucuna bağlanmamış (hortumu vakum pabucuna bağlayın)
- 5 Geri alma hortumları üst kapaktaki doğru portlara bağlanmamış (hortumları doğru portlara bağlayın)
- 6 Geri alma hortumu bükülmüş veya zarar görmüş (hortumu değiştirin)
- 7 Çöpler vakum pabucuna, mod seçme pedalına veya geri alma hortumuna sıkışmış (vakum pabucunu, mod seçicisini ve geri alma hortumunu temizleyin)
- 8 Geri alma deposu üst kapak contasında kaçak (contayı değiştirin)
- 9 Mod seçme pedalındaki yalıtım aşınmış veya eksik (yalıtımı değiştirin)

## YETERSİZ ÇÖZELTİ AKIŞI

Olası sebepler şunlar olabilir:


- 1 Çözelti deposu boş (çözelti deposunu doldurun)
- 2 Çözelti hatları veya çözelti filtresi tıkalı (hatları ve filtreyi yıkayın)
- 3 Çözelti hattı filtre tertibatına bağlı değil (çözelti hattını bağlayın)
- 4 Püskürtme ağızlığı tıkalıdır (püskürtme ağızlığını temizleyin)

**AKSESUARLAR / SEÇENEKLER**

Standart bileşenlere ek olarak, makinenin özel kullanımına göre makine aşağıdaki aksesuarlarla/seçeneklerle donatılabilir.

- Daha sert veya daha yumuşak kıllara sahip fırçalar
- Döşeme el aleti
- Farklı çubuk ve hortum seçenekleri

**TEKNİK ÖZELLİKLER (ünite üzerinde monte ve test edilen şekilde)**

Model		Nilfisk ES300
Model No.		56265503
Voltaj/frekans	V / Hz	220 -240 / 50-60
Anma Akımı	Amp	7,6
Koruma Sınıfı (elektriksel)		
Koruma Derecesi		IPX4
Ses Basıncı Seviyesi IEC 60335-2-68: 2012 Değişikliği. 1:2005, ISO 11203	dB(A)/20 µPa	≤70
El Kumandalarındaki Titreşimler (ISO 5349-1) IEC 60335-2-68: 2012 Değişikliği. 1:2005, EN ISO 5349-1: 2001	m/s <sup>2</sup>	0,39
Makine Genişliği	inç / cm	19,25 / 48,9
Ayarlanabilir gidonlu asgari makine yüksekliği	inç / cm	32 / 81,3
Ayarlanabilir gidonlu azami makine yüksekliği	inç / cm	46,5 / 118
Ayarlanabilir gidonlu asgari makine uzunluğu	inç / cm	28 / 71,1
Ayarlanabilir gidonlu azami makine uzunluğu	inç / cm	48,25 / 122,5
Çözelti Deposu Kapasitesi	Galon / L	9 / 34
Geri Alma Deposu Kapasitesi	Galon / L	7 / 26
Brüt Ağırlık*	lbs/kg	102 / 46,3

**Malzeme Bileşimi ve Geri Dönüştürülebilirliği**

Tip	Makine ağırlığı yüzdesi	Geri dönüştürülebilir yüzde
Alüminyum	%5	%100
Elektrik donanımı / elektrik motorları / patlamalı motorlar - çeşitli	%23	%39
Demirli metaller	%3	%100
Kablo demetleri / kablolar	%1	%83
Sıvılar	%0	%0
Plastik - geri dönüşümsüz	%10	%0
Plastik - geri dönüşümlü	%10	%100
Polietilen	%42	%90
Lastik	%7	%33

**СЪДЪРЖАНИЕ****Страница**

<b>Въведение</b> .....	C-3
Части и сервиз .....	C-3
Заводска табела .....	C-3
Разопаковане на машината .....	C-3
Предпазни мерки и предупреждения .....	C-4
Инструкции за заземяване .....	C-5

<b>Опознаване на машината – ES300</b> .....	C-6 – C-7
<b>Опознаване на таблото за управление</b> .....	C-8

**Подготовка на машината за употреба**

Пълнене на резервоара за разтвор .....	C-9
Преди употреба .....	C-9
Предварително напръскване на килима .....	C-9
План за почистване .....	C-9

**Работа**

Работа с машината .....	C-10 – C-11
Използване на приставки .....	C-10 – C-11
Комплекти за твърди подове .....	C-11

**След употреба**

След използване на машината .....	C-12
-----------------------------------	------

**Поддръжка**

График за поддръжка .....	C-12
Поддръжка на основната вакуумна приставка .....	C-12
Поддръжка на струйника .....	C-13
Поддръжка на захранващия кабел .....	C-13
Поддръжка на механизирания четка .....	C-13
Премахване на четката .....	C-13

Отстраняване на проблеми .....	C-14
Приставки/опции .....	C-15
Технически спецификации .....	C-15

## ВЪВЕДЕНИЕ

Това ръководство ще ви помогне да извлечете максималното от машината за почистване на килими Nilfisk™. Прочетете го внимателно преди работа с машината.

Този продукт е предназначен само за търговски цели.

## ЧАСТИ И ОБСЛУЖВАНЕ

Ремонти, ако са необходими, трябва да се извършват от оторизиран сервизен център на Nilfisk, в който е нает обучен в завода сервизен персонал и който поддържа инвентарен списък от оригинални резервни части и принадлежности на Nilfisk.

## МОДИФИКАЦИИ

Модификации и допълнения към почистващата машина, които влияят на производителността и безопасната работа, не трябва да се извършват от клиента или потребителя без предварително писмено одобрение от Nilfisk, Inc. Неодобрените модификации ще доведат до анулиране на гаранцията на машината и ще подведат под отговорност клиента за всякакви последващи произшествия.

## ЗАВОДСКА ТАБЕЛА

Номерът на модела (също познат като каталожен номер) и серийният номер на машината са обозначени на заводската табела, намираща се в задната основа на машината. Тази информация е нужна, когато поръчвате резервни части за машината. Използвайте полето по-долу, за да отбележите каталожния номер и серийния номер на машината за справка в бъдеще.

КАТАЛОЖЕН НОМЕР \_\_\_\_\_

СЕРИЕН НОМЕР \_\_\_\_\_

## РАЗОПАКОВАНЕ НА МАШИНАТА

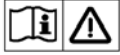
Когато машината бъде доставена, внимателно проверете за щети кашона за доставка и машината. Ако има налични щети, запазете кашона за доставка с цел да бъде проверен. Веднага се свържете с отдела за обслужване на клиенти на Nilfisk, за да подадете рекламация за транспортна повреда.



## ВАЖНИ ИНСТРУКЦИИ ЗА БЕЗОПАСНОСТ

Тази машина е подходяща само за търговска употреба, например в хотели, училища, болници, магазини и офиси за разлика от целите на нормална употреба в домакинството.

Когато използвате електрически уред, винаги трябва да следвате основни предпазни мерки, включително следните:



Прочетете всички инструкции, преди да използвате този уред.

## ПРЕДУПРЕЖДЕНИЕ!

За да намалите опасността от пожар, токов удар или нараняване:

- Не оставяйте уреда без надзор, когато е включен. Изключете устройството от контакта, когато не се използва и преди да се обслужва.
- За да избегнете токов удар, не излагайте на дъжд. Съхранявайте на закрито.
- Тази машина не е предназначена за употреба от лица (включително деца) с намалени физически, сетивни или умствени способности, или с липса на опит и познание.
- Не допускайте използването на машината като играчка. Нужно е повишено внимание, когато машината се използва в близост до деца.
- Използвайте само според указанията в това ръководство. Използвайте само препоръчаните от производителя приставки.
- Не използвайте с повреден кабел или щепсел. Ако уредът не работи както трябва, ако е изпуснат, повреден, оставен навън или изпуснат във вода, върнете го в сервизния център.
- Не дърпайте или носете за кабела, не използвайте кабела като дръжка, не притискайте кабела с врата и не опъвайте кабела по остри ръбове или ъгли. Не прекарвайте уреда върху кабела. Дръжте кабела далеч от горещи повърхности.
- Не изключвайте с издърпване на кабела. За да изключите, хванете щепсела, а не кабела.
- Не докосвайте щепсела, кабела или уреда с мокри ръце.
- Не поставяйте каквито и да е предмети в отворите. Не работете с уреда, ако има запушен отвор; поддържайте го чист от прах, влакна, косми или всичко, което може да ограничи потока на въздух.
- Дръжте свободно облекло, коса, пръсти и всички части на тялото далеч от отворите и движещите се части.
- Не почиствайте нищо, което гори или дими, като например цигари, клечки кибрит, тлееща пепел или всякакъв прах, който може да застраши здравето.
- Изключете всички контролни бутони, преди да изключите от електрическата мрежа.
- При почистване на стълби използвайте с повишено внимание.
- Не използвайте за почистване на запалими или експлозивни течности като бензин, както и не използвайте в помещения, където е възможно да има такива.
- Ако от изходния отвор започне да излиза пяна или течност, изключете захранването незабавно. Уверете се, че няма чужди предмети, които да попречат на поплавъка да се движи свободно. Свържете се с Nilfisk, ако проблемът продължава.
- Течността, излизаща от струйника, може да бъде опасна заради нейната температура, налягане или химическо съдържание.
- Използвайте само четките, доставени с уреда или тези, указани в ръководството с инструкции. Употребата на други четки може да намали безопасността.

## ЗАПАЗЕТЕ ТЕЗИ ИНСТРУКЦИИ

## ИНСТРУКЦИИ ЗА ЗАЗЕМЯВАНЕ

Този уред трябва да бъде заземен. В случай на електрическа неизправност на уреда заземяването осигурява път на най-малко съпротивление за тока с цел намаляване на опасността от токов удар. Този уред е оборудван с кабел, който има проводник за заземяване на оборудване, както и заземяващ щепсел. Щепселът трябва да бъде включен в подходящ контакт, който е правилно монтиран и заземен в съответствие с всички местни кодекси и наредби.

### ОПАСНОСТ!

Неправилното свързване на проводник за заземяване на оборудване може да доведе до опасност от токов удар. Консултирайте се с квалифициран електротехник или обслужващо лице, ако се съмнявате дали контактът е правилно заземен. Не променяйте осигурения към уреда щепсел. Ако той не влиза в контакта, помолете квалифициран техник да ви инсталира подходящ.

Заменете щепсела, ако заземяващият щифт е повреден или счупен.

Зелената (или зелена/жълта) жица на кабела е заземяваща. Когато замените щепсела, тази жица трябва да бъде свързана само към заземяващия щифт.

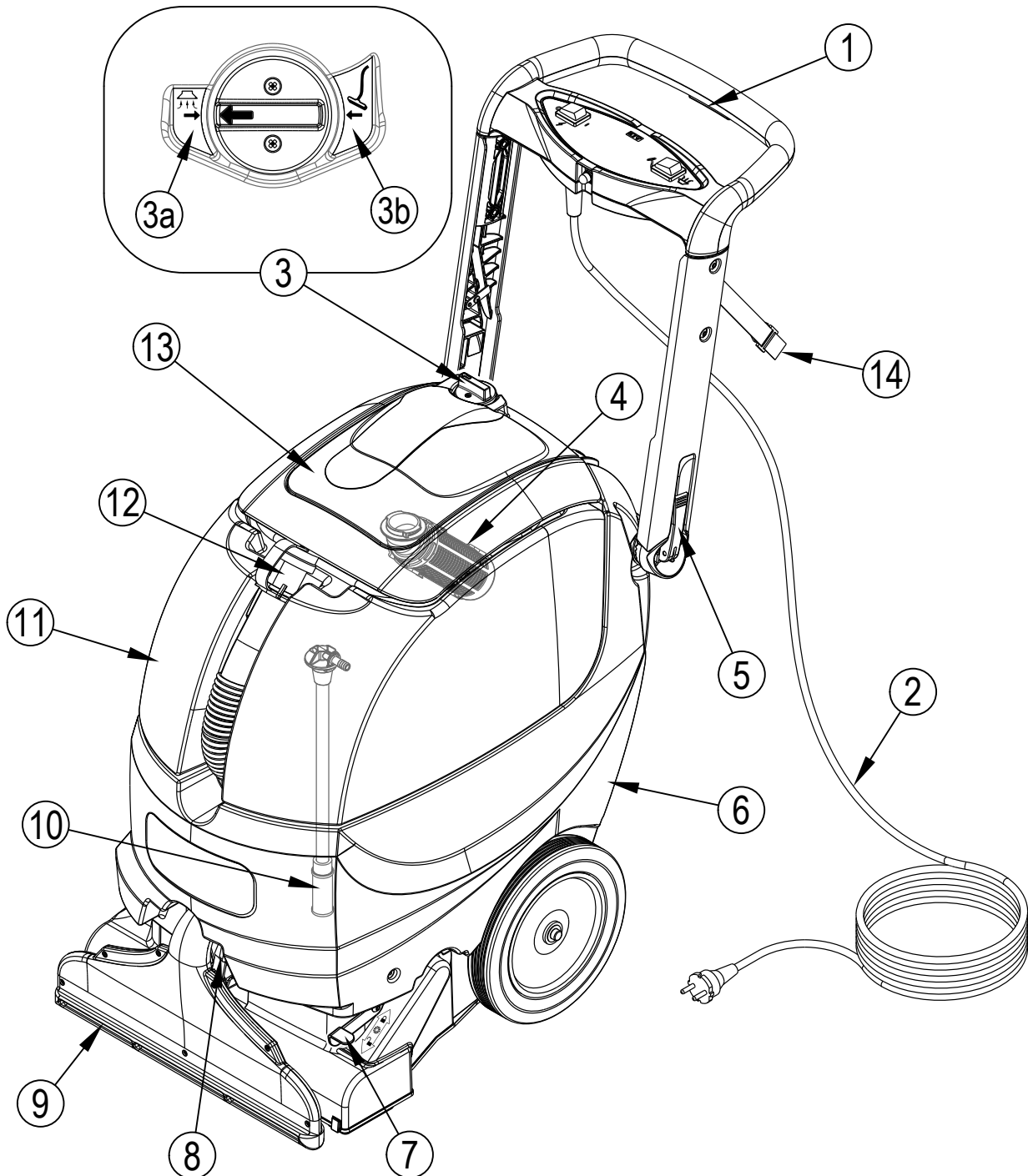
Удължителните кабели, които се свързват към машината, трябва да бъдат със сечение 2,5 mm<sup>2</sup> (12 AWG), трижилни кабели с щепсели с три извода и съответните контакти. НЕ използвайте удължителни кабели, които са по-дълги от 15 m (50 фута).

### ПРЕДУПРЕЖДЕНИЕ!

- Ако се използва удължителен кабел, щепселът и гнездото трябва да бъдат с водонепроницаема конструкция.
- Неподходящите удължителни кабели могат да бъдат опасни.

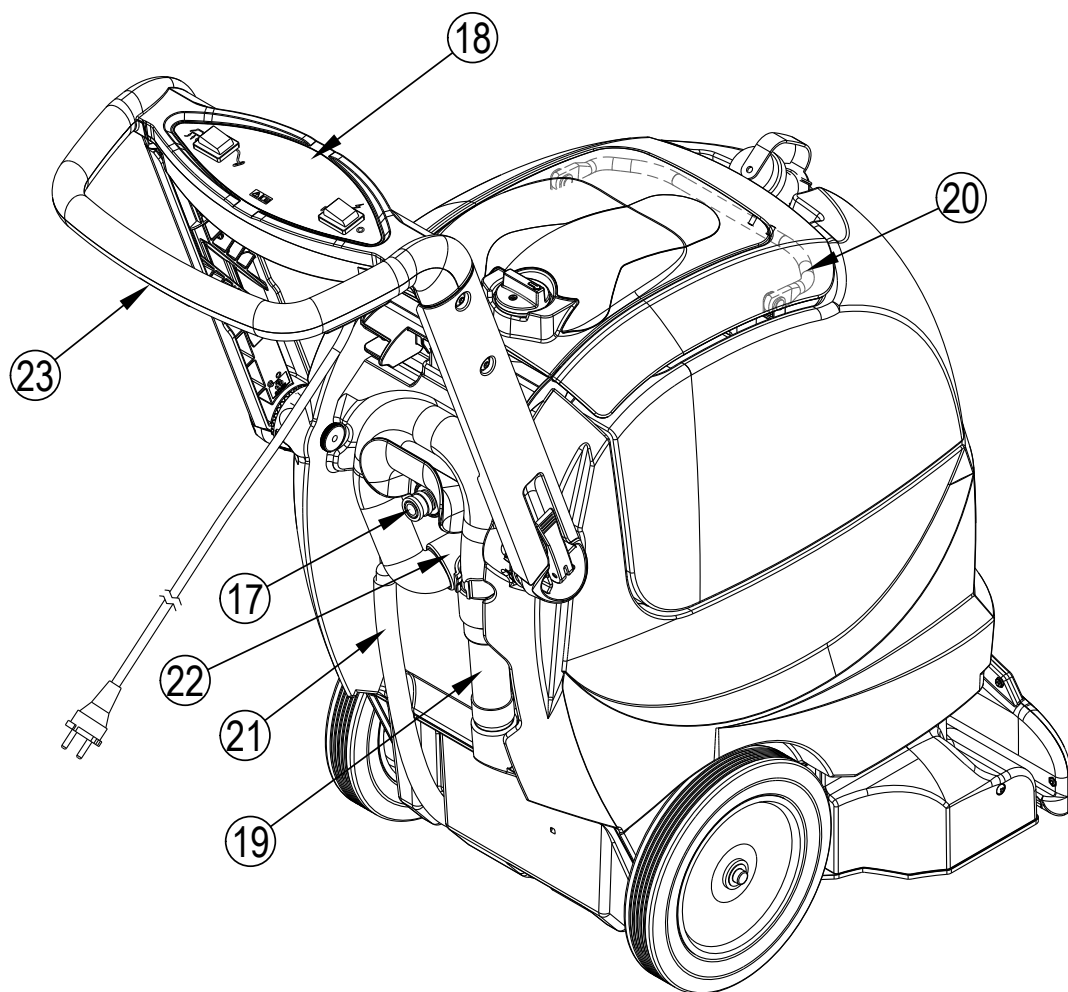
**ОПОЗНАВАНЕ НА МАШИНАТА – ES300**

- |    |   |    |  |
|----|---|----|--|
| 1  | Превключвател за разтвора                           | 7  | Лост за повдигане на отделението за четката        |
| 2  | Захранващ кабел                                     | 8  | Лост за освобождаване на вакуумното приспособление |
| 3  | Копче за избор на режим на вакуум                   | 9  | Вакуумно приспособление                            |
| 3a | Режим на вакуумно приспособление                    | 10 | Филтър за разтвора                                 |
| 3b | Режим на приставка                                  | 11 | Резервоар за мръсна вода                           |
| 4  | Автоматично изключване с поплавък                   | 12 | Маркуч за източване на резервоара за мръсна вода   |
| 5  | Лостове за регулиране на ъгъла на дръжката (2 броя) | 13 | Куполен капак на резервоара за мръсна вода         |
| 6  | Резервоар за разтвор                                | 14 | Лента за прикрепяне на кабела                      |



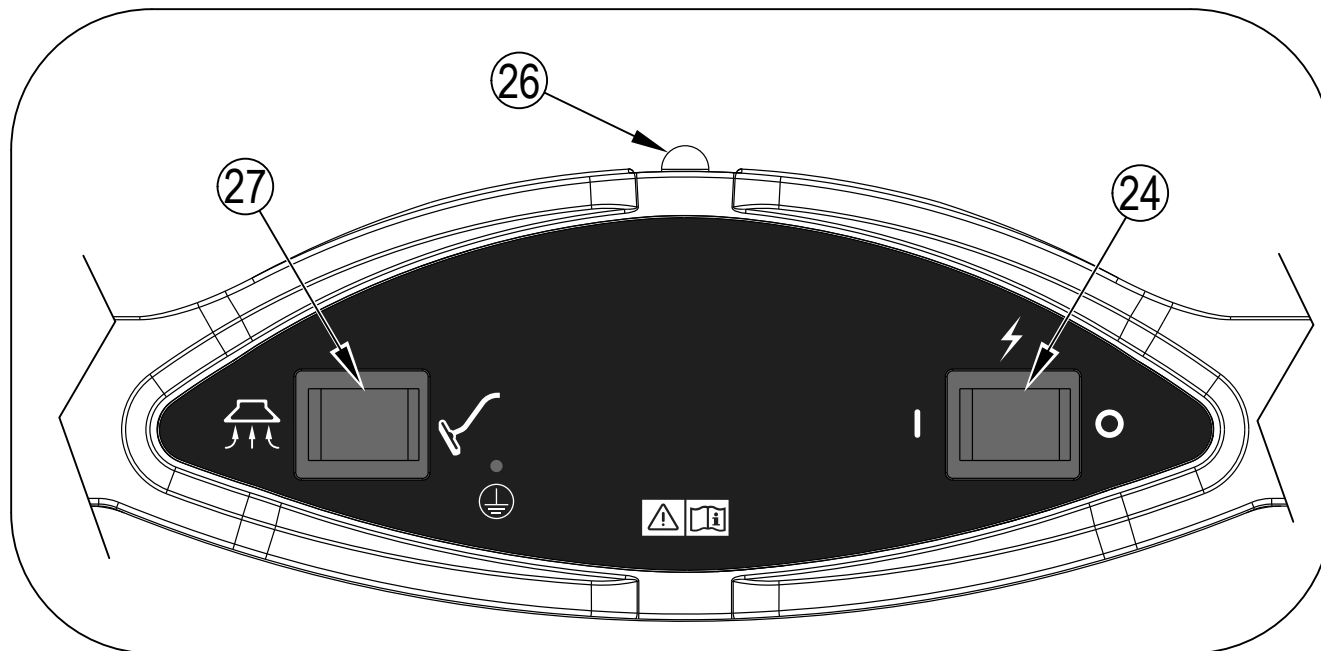
**ОПОЗНАВАНЕ НА МАШИНАТА – ES300**

- 17 Отвор за приставка за разтвор
- 18 Табло за управление
- 19 Ръчен инструмент (опция)
- 20 Дръжка на резервоара за мръсна вода
- 21 Маркуч за източване на чистия резервоар/индикатор за ниво
- 22 Отвор на маркуча за вакуумна приставка
- 23 Блок на дръжката



**ОПОЗНАВАНЕ НА ТАБЛОТО ЗА УПРАВЛЕНИЕ**

- 24 Превключвател на захранването
- 26 Прекъсвач на веригата, 5 Аmp
- 27 Превключвател вакуумно приспособление/приставка



## ПОДГОТОВКА НА МАШИНАТА ЗА УПОТРЕБА

### ПЪЛНЕНЕ НА РЕЗЕРВОАРА ЗА РАЗТВОР

- 1 Завъртете превключвателя на захранването до изключено положение (O) и след това изключете машината от контакта.
- 2 Отворете куполния капак на резервоара за мръсна вода (13). Използвайте дръжката на резервоара за мръсна вода (20), извадете резервоара от машината и го оставете настрана.
- 3 Прочетете инструкциите за разреждане върху опаковката на почистващия препарат. След което изчислете правилното количество почистващ препарат, за да го смесите спрямо капацитета за вода на резервоара за разтвор на машината; 34 литра (9 галона).

### ⚠ ВНИМАНИЕ!

Използвайте нископенливи течни почистващи препарати, подходящи за почистване на килими.

- 4 **Вижте фигура 4.** Налейте почистващ препарат в резервоара за разтвор и долейте с гореща вода (максимална температура 54°C/130°F). Не препълвайте резервоара за разтвор. Максималната точка за пълнене е, когато разтворът достигне до долната част на ръба на отвора на резервоара (A).  
**ЗАБЕЛЕЖКА:** Резервоарът за разтвор има вграден държач за маркуч (B), който може да се използва за подсигуряване на края на маркуча по време на пълненето на резервоара.
- 5 Поставете резервоара за мръсна вода обратно в машината. Уверете се, че резервоарът за мръсна вода е правилно разположен върху резервоара за разтвор.
- 6 Поставете куполния капак (13) обратно върху резервоара за мръсна вода.

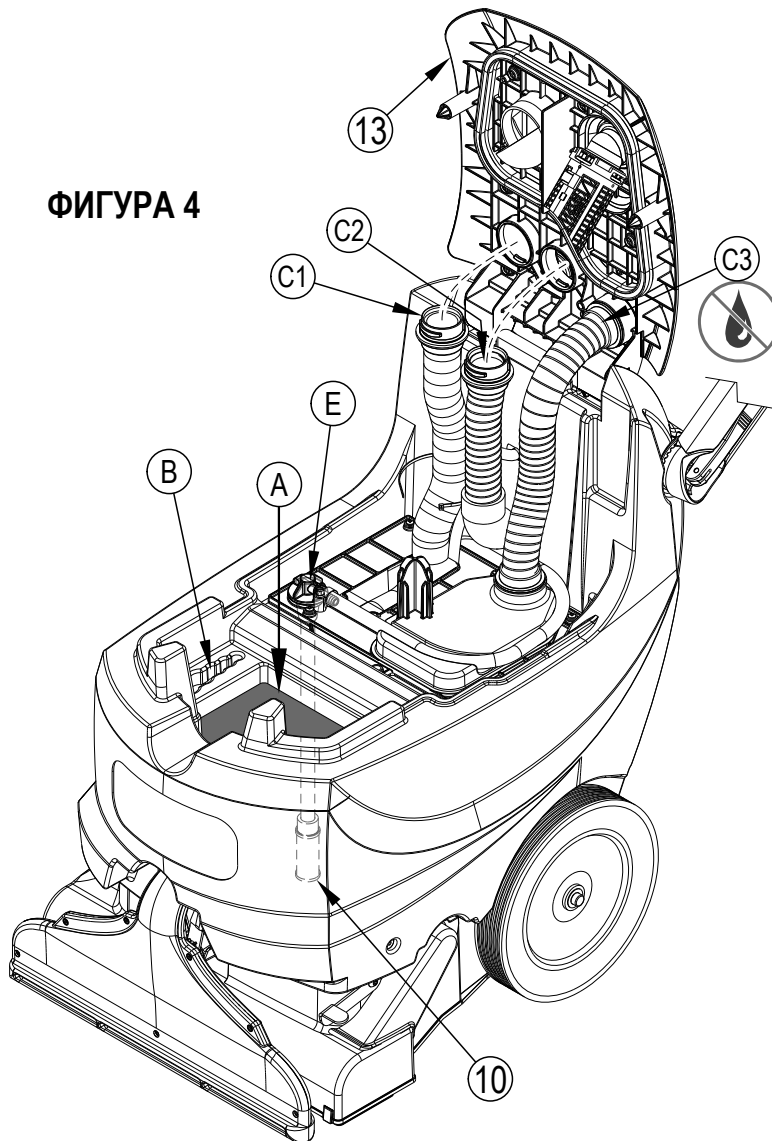
**ЗАБЕЛЕЖКА:** Маркучите (C1, C2 и C3), които се свързват към куполния капак се прикрепят чрез натискане на маркуча в отвора на куполния капак и завъртане по посока на часовниковата стрелка от 1/4 оборот за пълно фиксиране.

**Маркуч C1** = маркуч за вакуумната приставка

**Маркуч C2** = маркуч за приставка (четка за мокро почистване или ръчен инструмент)

**Маркуч C3** = маркуч на вакуумния мотор (не позволявайте навлизането на вода или пяна в този маркуч)

ФИГУРА 4



### ПРЕДИ ИЗПОЛЗВАНЕ НА МАШИНАТА

Щателно почистете с вакуум килима, преди да се използва автоматичния екстрактор.

### ПРЕДВАРИТЕЛНО НАПРЪСКВАНЕ НА КИЛИМА

Напръскайте предварително петната и зоните на често използване, преди да се използва изсмукване. Използвайте ръчна бутилка за пръскане или пръскачка тип „Hudson“. Смесвайте разтвора за предварително напръскване спрямо указанията на производителя на почистващия препарат.

### ПЛАН ЗА ПОЧИСТВАНЕ

Преди да се използва изсмукване, огледайте зоната, която ще чистите и направете план за работата си. Разделете пространството на зони. Застъпвайте върху вече почистената зона с 5 cm (2 инча).

## РАБОТА С МАШИНАТА

- 1 Спазвайте инструкциите от раздел „Подготовка на машината за употреба“ в това ръководство.
- 2 **Вижте фигура 5.** Дръпнете лостове за регулиране на ъгъла на дръжката (5), за да отключите позицията на дръжката. Регулирайте височината на дръжката до най-удобното положение за оператора. Натиснете навътре лостове (5), за да фиксирате дръжката.
- 3 Натиснете превключвателя за вакуумното приспособление/приставка (27) към положение за вакуумното приспособление.
- 4 Отключете (натиснете надолу) лоста за отделението на четката (7), за да може четката да влезе в контакт с пода.
- 5 Завъртете копчето за избор на режима на вакуум (3) към положение за вакуумното приспособление (3а), за да се използва изсмукване.  
**ЗАБЕЛЕЖКА:** Бутонът (3) трябва да бъде завъртян докрай, докато двете стрелки сочат една друга, за да се получи цялостно уплътняване.
- 6 Включете машината в надеждно заземен контакт. Завъртете превключвателя за захранването (24) до включено положение (I), за да стартирате вакуумния мотор, помпата за разтвор и мотора на четката.
- 7 Дръжте постоянно превключвателя за разтвор (1) с цел отделяне на разтвор. Когато превключвателя за разтвор (1) бъде отпуснат, потокът на разтвора спира.
- 8 Започнете почистването, като движите машината в права линия и застъпвате с около 5 cm (2 инча) върху вече почистената зона. Отпуснете превключвателя за разтвор (1), преди да правите завои, за да се гарантира цялостно изсмукване на разтвора от килима.
- 9 Наблюдавайте течността, влизаща в куполния капак на резервоара за мръсна вода (13). Ако има големи количества пяна в резервоара за мръсна вода, добавете химически пеногасител в резервоара за мръсна вода.

## ВНИМАНИЕ!

Изпразните резервоара за мръсна вода, преди течността или пяната да навлезе към вакуумния мотор.

Ако в резервоара за мръсна вода влиза малко течност или не влиза изобщо, проверете маркуча за източване на разтвора/индикатора за ниво (21), възможно е резервоарът за разтвор да е празен. Напълнете резервоара за разтвор с вода и подходящо количество почистващ препарат.

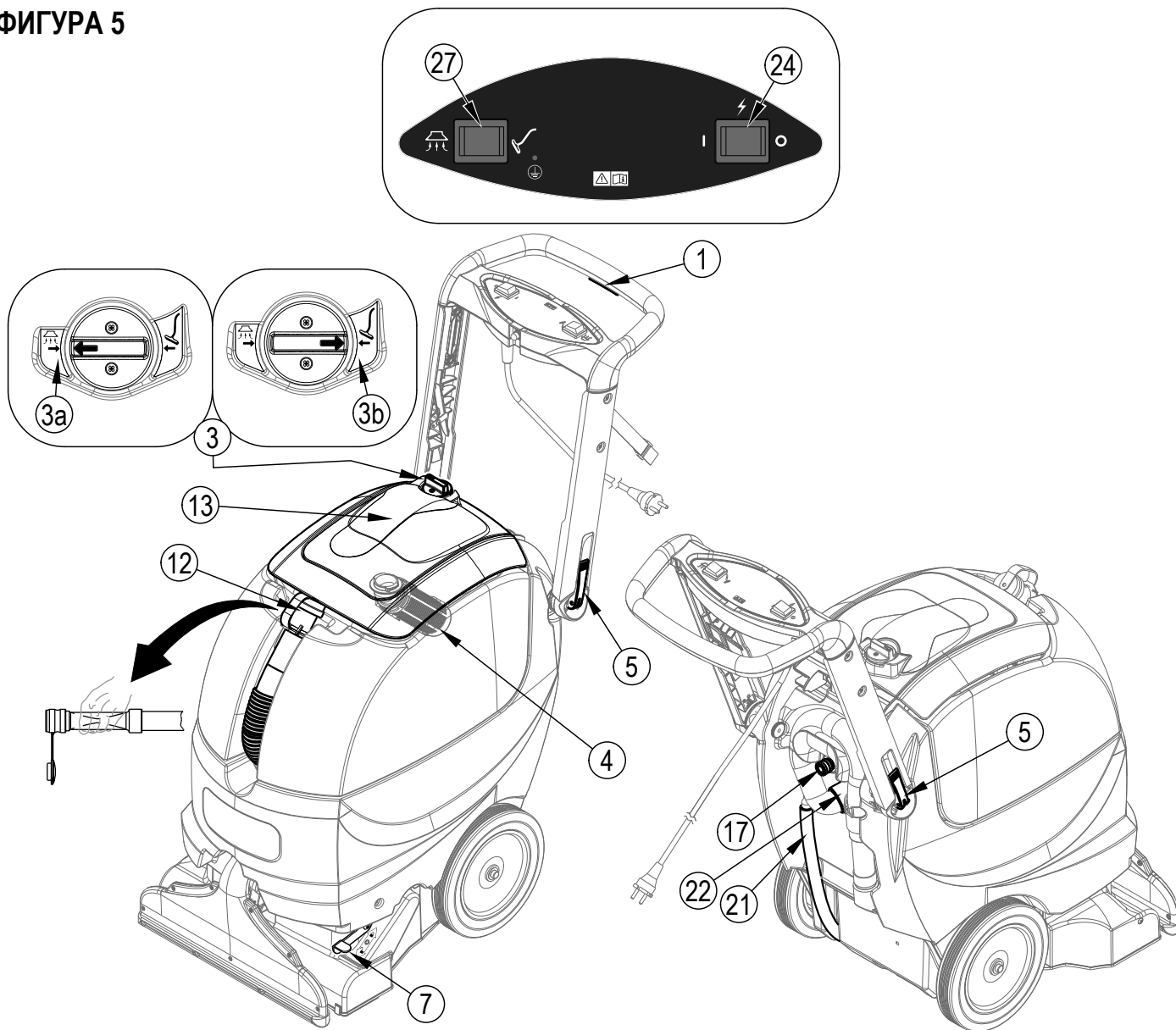
- 10 Резервоарът за мръсна вода има поплавък за автоматично изключване (4), който блокира вакуумната система, когато резервоарът за мръсна вода е пълен. Можете да усетите кога поплавъкът се затваря от рязката промяна в звука на вакуумния мотор. Когато поплавъкът се затвори, резервоарът за мръсна вода трябва да се изпразни. Машината продължава да отделя разтвор, но **няма** да изсмуква вода, когато поплавъкът е затворен.
- 11 Когато операторът иска да спре почистването с или резервоарът за мръсна вода е пълен, освободете превключвателя за разтвор (1). След това изключете превключвателя на захранването (O) и изключете машината. Заклучете (дръпнете нагоре) лоста за повдигане на отделението на четката (7), за да поставите четката в положение за съхранение.
- 12 Придвигете машината до определеното място за изхвърляне на мръсната вода, за да изпразните резервоара за мръсна вода. За да изпразните, издърпайте маркуча за източване на резервоара за мръсна вода (12) от мястото, на което е окачен, махнете капачката (дръжте края на маркуча над водното ниво в резервоара, за да избегнете неочакван и неконтролиран поток от мръсна вода). Напълнете резервоара за разтвор и продължете с почистването.

## ИЗПОЛЗВАНЕ НА ПРИСТАВКИ

За да използвате приставки:

- 1 Завъртете копчето за избор на режима на вакуум (3) към положение за приставки (3b), за да се използват приставки. **ЗАБЕЛЕЖКА:** Бутонът (3) трябва да бъде завъртян докрай, докато двете стрелки сочат една друга, за да се получи цялостно уплътняване.
- 2 Поставете маркуча за мръсна вода на приставката към вакуумния отвор за приставки (22) на машината.
- 3 Поставете маркуча за разтвор на приставката към отвора за разтвор за приставки (17) на машината.
- 4 Натиснете превключвателя за вакуумното приспособление/приставка (27) към положение за вакуумното приспособление.
- 5 Завъртете превключвателя за захранването (24) до включено положение (I), за да активирате вакуумния мотор и помпата за разтвор. Консултирайте се с дистрибутора на Nilfisk за приставки, които могат да се използват с ES300.

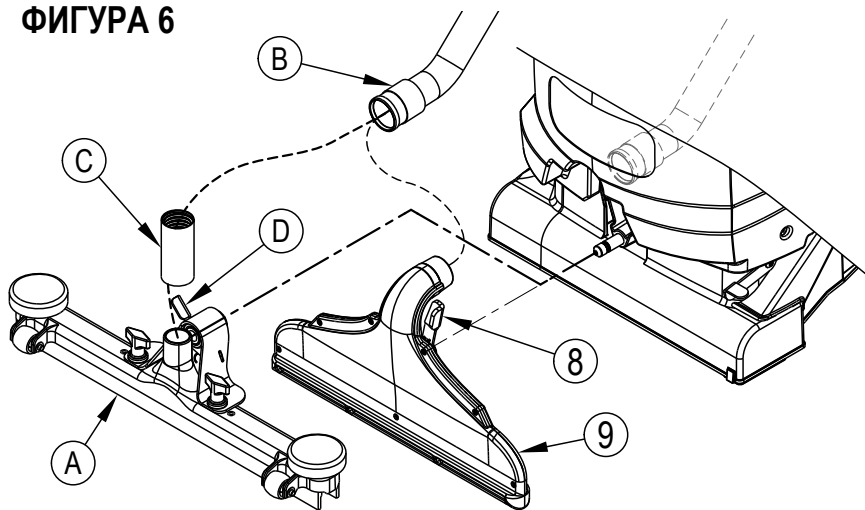
**ФИГУРА 5**



**КОМПЛЕКТИ ЗА ТВЪРДИ ПОДОВЕ**

Вакуумното приспособление може да бъде свалено и сменено с опционалната гумена миячка (А) за употреба върху твърди подове. Вижте фигура 6. Натиснете и задръжте лоста за освобождаване на вакуумното приспособление (8) и свалете вакуумното приспособление (9) от монтажния му щифт. След това разкачете маркуча за мръсна вода (В) от вакуумното приспособление (8) и свалете маркуча (С), след което – към гумената миячка (А). Прикрепете гумената миячка към машината на същото място за монтиране, което се използва за вакуумното приспособление, просто натиснете лоста за освобождаване (D) и вмъкнете гумената миячка на място. **ЗАБЕЛЕЖКА:** Употребата върху твърди подове може да изисква различен вид четка. Упътване за избор на четка и каталожни номера може да бъде намерено в „Списък с части“.

**ФИГУРА 6**





## СЛЕД ИЗПОЛЗВАНЕ НА МАШИНАТА

- 1 Изключете превключвателя на захранването (O). Изключете захранващия кабел (2). Намотайте кабела и го закачете с лентата за задържане на кабела (14).
- 2 За да изпразните резервоара за мръсна вода, вземете маркуча за източване на мръсната вода (12) от мястото му за окачване. Насочете маркуча към определеното място за изхвърляне на отпадна вода и свалете пробката (дръжте края на маркуча над водното ниво в резервоара, за да избегнете неочакван и неконтролиран поток от мръсна вода). Изплакнете резервоара с чиста вода. Огледайте маркучите за мръсна вода и източване; сменете ги, ако са прегънати или повредени.
- 3 За да изпразните резервоара за разтвор, издърпайте маркуча му за източване (21) от коляното му. Насочете маркуча към определеното място за изхвърляне на отпадна вода. Изплакнете резервоара с чиста вода. Огледайте маркучите за разтвор; сменете ги, ако са прегънати или повредени.
- 4 Свалете четката, изплакнете я с топла вода и премахнете всякакви натрупани нишки, косми или влакна от килим.
- 5 Разкачете маркучите за мръсна вода C1 и C2 (вижте фигура 4) от куполния капак на резервоара за мръсна вода (13) и промийте с топла вода, за да измиете всякаква мръсотия от маркуча за мръсна вода и вакуумното приспособление. Не промивайте маркуча C3 понеже той се свързва към вакуумния мотор.
- 6 Избършете машината с влажна кърпа. Не използвайте абразивни химикали или разтворители.
- 7 Изпълнете всички необходими дейности по поддръжката преди съхранение. Вижте *График за поддръжка*.
- 8 Съхранявайте машината в закрити помещения, на чисто и сухо място с отворен куполен капак на резервоара. Пазете от замръзване.
- 9 Поставете машината в положение за съхранение. Това ще предотврати втвърдяването на четката, което ще удължи експлоатационния ѝ период, както и работата ѝ. Повдигнете лоста за повдигане на четката (7), докато се заключи в положение за съхранение.

## ГРАФИК ЗА ПОДДРЪЖКА

СПИСЪК ЗА ПОДДРЪЖКА	Ежедневно	Седмично	Годишно
Проверка/почистване на механизирания четка	X		
Проверка/почистване на резервоари и маркучи	X		
Проверка/почистване на изключващия вакуумен поплавък	X		
Почистване на вакуумното приспособление	X		
Почистване, „поддръжка“ на струйника		X	
Преглед и почистване на филтъра за разтвор		X	
*Промийте системата за разтвор със смес на оцетна основа			X
**Проверка на карбоновите четки			X

\* Веднъж в годината или след 300 работни часа промийте машината с разтвор на бял оцет (1 кварт (0,94 литра) оцет към 2 галона (7,57 литра) вода).

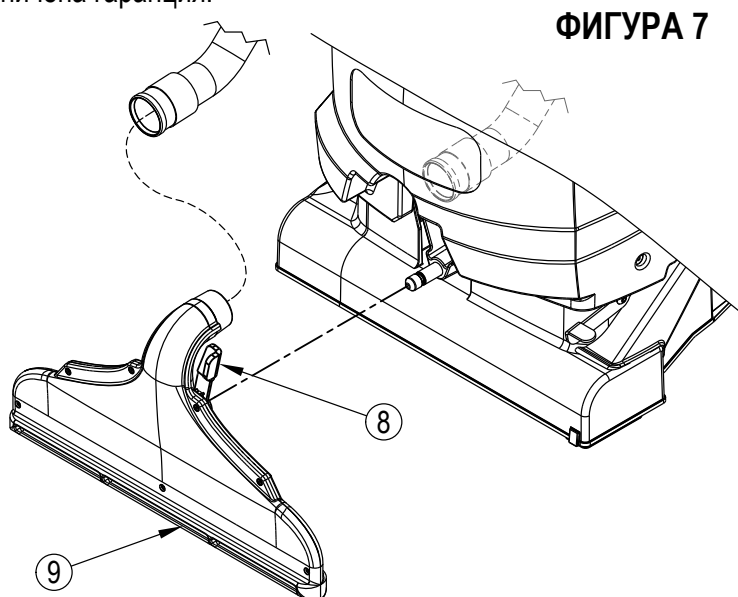
\*\* Обърнете се към сервизен техник на Nilfisk за проверка на карбоновите четки на вакуумния мотор веднъж годишно или след всеки 300 работни часа. Проверка на четката и карбоновите четки на мотора веднъж годишно или на всеки 500 часа.

## ⚠ ВАЖНО!

Гаранцията не покрива повреда на мотора, получена вследствие на неизвършено сервизно обслужване на карбоновите четки. Вижте Декларацията за ограничена гаранция.

## ПОДДРЪЖКА НА ВАКУУМНОТО ПРИСПОСОБЛЕНИЕ

Проверявайте вакуумното приспособление всеки ден. Премахвайте всякакви натрупани нишки, косми или влакна от килим. Вижте фигура 7. Натиснете и задръжте лоста за освобождаване на вакуумното приспособление (8) и свалете вакуумното приспособление (9) от монтажния му щифт. След което разкачете маркуча за мръсна вода от вакуумното приспособление.



## ПОДДРЪЖКА НА СТРУЙНИКА

Сваляйте струйника (А) веднъж в седмицата. Вижте фигура 8. Завъртете струйника на 1/4 оборот обратно на часовниковата стрелка, за да го свалите. Накиснете струйника за една нощ в оцет за отстраняване на химически наслоявания. Не използвайте карфици, тел или други подобни за почистване на струйника, тъй като това може да развали вида на пръскащата струя.

## ПОДДРЪЖКА НА ФИЛТЪРА ЗА РАЗТВОР

Веднъж в седмицата (или по-често, ако е необходимо) проверявайте и почиствайте филтъра за разтвор (10). Източете резервоара за мръсна вода, както и този за разтвор. Повдигнете резервоара за мръсна вода от машината и го оставете настрана. Вижте фигура 4. Дръжте маркуча за разтвор свързан и завъртете блока на филтъра (Е) на 1/4 оборот по посока обратна на часовниковата стрелка, за да го разхлабите. Издърпайте блока на филтъра право нагоре и навън от резервоара за разтвор. След почистване монтирайте отново, като следвате стъпките по обратен ред.

## ПОДДРЪЖКА НА ЗАХРАНВАЩИЯ КАБЕЛ

Веднъж в седмицата (или по-често, ако е необходимо) проверявайте захранващия кабел за пукнатини или повредена изолация, оголени проводници по кабела или щепсела, както и повреден или липсващ заземяващ щифт. Сменете **незабавно** повредения кабел или щепсел.

## ПОДДРЪЖКА НА МЕХАНИЗИРАНАТА ЧЕТКА

Проверявайте четката всеки ден. Премахвайте всякакви натрупани нишки, косми или влакна от килим. Когато машината не се използва, тя трябва да бъде поставена в положение за съхранение. Това ще предотврати втвърдяването на четката, което ще удължи експлоатационния ѝ период, както и работата ѝ.

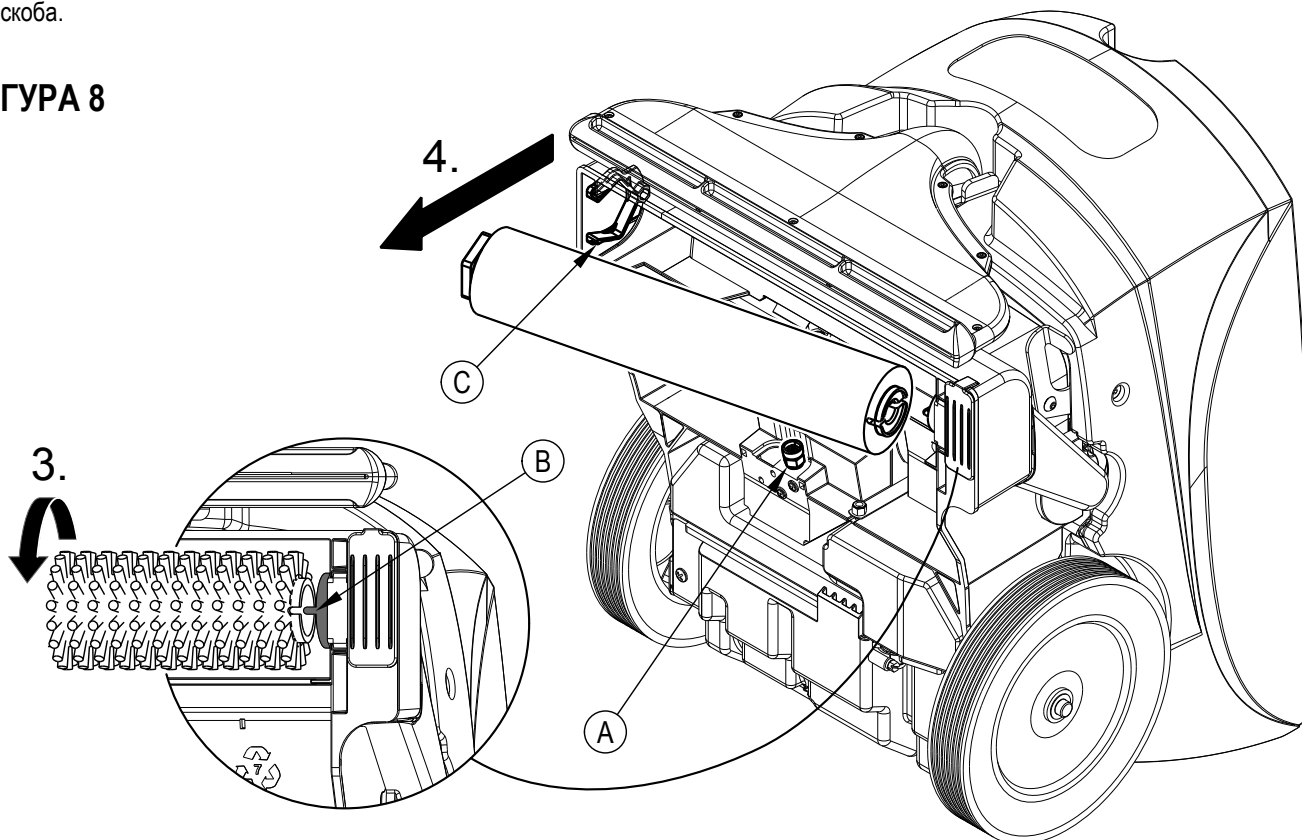
## ПРЕМАХВАНЕ НА ЧЕТКАТА

### ⚠ ВНИМАНИЕ!

Изключете превключвателя на захранването (О) и го отстранете, преди да сменяте четките.

- 1 Източете резервоара за мръсна вода, както и този за разтвор. Отворете куполния капак на резервоара за мръсна вода. Повдигнете резервоара за мръсна вода от машината и го оставете настрана.
- 2 Поставете блока на дръжката (23) във вертикално положение и положете машината върху задната и страна.
- 3 Вижте фигура 8. Завъртете четката, докато задвижващата ос (В) е в положение, в което прорезите ѝ са разположени паралелно спрямо пода.
- 4 Хванете четката от единия край със скобата за изваждане на четката (С) и издърпайте навън.
- 5 Монтирайте нова четка в края на задвижващата ос, след което натиснете другия край на четката, докато щракне в придържащата скоба.

ФИГУРА 8



## ОТСТРАНЯВАНЕ НА ПРОБЛЕМИ

Ако възможните причини, описани по-долу, не са източник на проблема, това е знак, че става въпрос за нещо по-сериозно. Свържете се с вашия център за обслужване на Nilfisk незабавно.

## ИЗКЛЮЧВАНЕ НА ПРЕКЪСВАЧА

Прекъсвачът (26) се намира върху таблото за управление; той предпазва електрическата верига и мотора на четката от щети, предизвикани от претоварване. Ако прекъсвачът се изключи, опитайте да установите причината.

Прекъсвач за четката (5 Аmp) Възможна причина може да бъде:

- 1 Отпадъци, навити около задвижването на четката (отстранете отпадъците)
- 2 Електрическо късо съединение (свържете се със сервизен център на Nilfisk или квалифициран електротехник за проверка на машината)

След като проблемът е отстранен, натиснете бутона, за да рестартирате прекъсвача. Ако бутонът не остава натиснат, изчакайте 5 мин. и опитайте отново. Ако прекъсвачът изключва неколккратно, свържете се със сервизния център на Nilfisk за сервиз.

## ЛОШО СЪБИРАНЕ НА ВОДАТА

Възможна причина може да бъде:

- 1 Бутонът за избор на режим за вакуум (3) е зададен на грешния режим или не е правилно завъртян (завъртете бутона изцяло, за да съвпадне с иконата на стрелка)
- 2 Пълен резервоар за мръсна вода (източете го)
- 3 Отворете маркуча за източване на резервоара за мръсна вода (затегнете капачката на маркуча или я сменете)
- 4 Маркучът за мръсна вода не е свързан с основната вакуумна приставка (свържете маркуча към основната вакуумна приставка)
- 5 Маркучите за мръсна вода не са свързани към правилните отвори на куполния капак (свържете маркучите към правилните отвори)
- 6 Маркучът за мръсна вода е огънат или повреден (сменете маркуча)
- 7 Отломки, заклещени във основната вакуумна приставка, лоста за избор на режим или маркуча за мръсна вода (почистете приставката, превключвателя за режим и маркуча за мръсна вода)
- 8 Теч от гарнитурата на куполния капак на резервоара за мръсна вода (сменете гарнитурата)
- 9 Уплътнението на лоста за избор на режим е износено или липсва (сменете уплътнението)

## НЕПОДХОДЯЩ ДЕБИТ НА РАЗТВОРА

Възможна причина може да бъде:


- 1 Резервоарът за разтвор е празен (напълнете резервоара)
- 2 Линиите за разтвор или филтърът за разтвор са запушени (промийте линиите и филтъра)
- 3 Линията за разтвор не е свързана към блока на филтъра (свържете линията за разтвор)
- 4 Струйникът е запушен (почистете струйника)

**АКСЕСОАРИ/ОПЦИИ**

В допълнение към стандартните компоненти машината може да бъде оборудвана със следните аксесоари/опции според специфичната ѝ употреба.

- Четки с по-твърди или по-меки косми
- Ръчен инструмент за дамаски
- Различни опции за приставки и маркучи

**ТЕХНИЧЕСКИ СПЕЦИФИКАЦИИ (инсталирани и тествани на машината)**

Модел		Nilfisk ES300
Номер на модел		56265503
Напрежение/честота	V/Hz	220 – 240/50 – 60
Номинален ток	Amp	7,6
Клас на защита (електрическа)		
Категория на защита		IPX4
Ниво на звуковото налягане IEC 60335-2-68: 2012 измен. 1:2005, ISO 11203	dB(A)/20 µPa	≤70
Вибрации на ръчните контролери IEC 60335-2-68: 2012 измен. 1:2005, EN ISO 5349-1: 2001	m/s <sup>2</sup>	0,39
Широчина на машината	cm/инча	48,9/19,25
Минимална височина на машината с регулируема дръжка	cm/инча	81,3/32
Максимална височина на машината с регулируема дръжка	cm/инча	118/46,5
Минимална дължина на машината с регулируема дръжка	cm/инча	71,1/28
Максимална дължина на машината с регулируема дръжка	cm/инча	122,5/48,25
Капацитет на резервоара за разтвор	l/галона	34/9
Капацитет на резервоара за мръсна вода	l/галона	26/7
Бруто тегло*	kg/фунта	46,3/102

**Състав на материала и възможност за рециклиране**

Вид	% от теглото на машината	% рециклируем
Алуминий	5%	100%
Електрически/мотори/двигатели – разни	23%	39%
Черни метали	3%	100%
Кабелни снопове/кабели	1%	83%
Течности	0%	0%
Пластмаса – nereциклируема	10%	0%
Пластмаса – рециклируема	10%	100%
Полиетилен	42%	90%
Гума	7%	33%

**CUPRINS****Pagina**

<b>Introducere</b> .....	D-3
Piese și service.....	D-3
Plăcuță indicatoare .....	D-3
Despachetarea aparatului .....	D-3
Măsuri de precauție și avertismente.....	D-4
Instrucțiuni de împământare.....	D-5
<b>Cunoașteți-vă aparatul – ES300</b> .....	D-6 – D-7
<b>Cunoașteți-vă panoul de control</b> .....	D-8
<b>Pregătirea aparatului pentru utilizare</b>	
Umplerea rezervorului de soluție.....	D-9
Înainte de utilizare .....	D-9
Pulverizarea prealabilă pe covor .....	D-9
Planificarea curățării .....	D-9
<b>Funcționare</b>	
Acționarea aparatului.....	D-10 – D-11
Utilizarea accesoriilor .....	D-10 – D-11
Seturile pentru podele dure .....	D-11
<b>După utilizare</b>	
După utilizarea aparatului.....	D-12
<b>Întreținere</b>	
Program de întreținere.....	D-12
Întreținerea tălpii de aspirare .....	D-12
Întreținerea duzei de pulverizare .....	D-13
Întreținerea cablului de alimentare .....	D-13
Întreținerea periei electrice .....	D-13
Demontarea periei .....	D-13
Depanare.....	D-14
Accesorii/Optiuni.....	D-15
Specificații tehnice.....	D-15

## INTRODUCERE

Acest manual vă va ajuta să utilizați la nivel optim extractorul pentru curățarea covoarelor Nilfisk™. Citiți-l cu atenție înainte de a pune în funcțiune aparatul.

Acest produs este conceput numai pentru utilizare comercială.

## PIESE ȘI SERVICE

Reparațiile, atunci când sunt necesare, trebuie să fie efectuate de centrul de service autorizat Nilfisk, care dispune de personal de service instruit la fabrică și un inventar al pieselor de schimb și accesoriilor originale Nilfisk.

## MODIFICĂRI

Modificările și adăugările la aparatul de curățat care afectează capacitatea și funcționarea sigură nu vor fi efectuate de către client sau de către utilizator fără aprobarea scrisă prealabilă din partea Nilfisk, Inc. Modificările neaprobate vor anula garanția aparatului și vor antrena responsabilitatea clientului pentru orice accidente rezultate.

## PLĂCUȚA INDICATOARE

Numărul modelului (cunoscut și ca număr de catalog) și seria aparatului dvs. sunt afișate pe plăcuța indicatoare, situată pe spatele bazei aparatului. Aceste informații sunt necesare când se comandă piese de schimb pentru aparat. Folosiți spațiul de mai jos pentru a nota numărul de catalog și seria aparatului dumneavoastră pentru consultare ulterioară.

NR. CATALOG \_\_\_\_\_

SERIE \_\_\_\_\_

## DESFACEREA APARATULULUI

La livrarea aparatului, verificați cu atenție ambalajul de carton și aparatul pentru a vedea dacă sunt deteriorate. Dacă deteriorarea este evidentă, păstrați ambalajul din carton pentru a putea fi verificat. Contactați imediat Departamentul de servicii pentru clienți Nilfisk pentru a face o plângere pentru deteriorarea transportului.

## INSTRUCȚIUNI DE SIGURANȚĂ IMPORTANTE

Acest aparat este adecvat numai pentru uz comercial, de exemplu în hoteluri, școli, spitale, magazine și birouri, în alte scopuri decât cele menajere normale pentru o locuință particulară.

Când se utilizează un aparat electric, trebuie să se respecte întotdeauna precauțiile de bază, inclusiv următoarele:



Înainte de a folosi acest aparat, citiți toate instrucțiunile.

### **AVERTIZARE!**

Pentru a reduce riscul de incendiu, electrocutare sau rănire:

- Nu lăsați aparatul nesupravegheat în timp ce este conectat. Deconectați unitatea de la priză când nu este în funcțiune și înainte de service.
- Pentru a evita electrocutarea, nu expuneți la ploaie. A se păstra în interior.
- Acest aparat nu este destinat utilizării de către persoane (inclusiv copii) cu capacități fizice, senzoriale sau mentale reduse sau lipsite de experiență și cunoștințe.
- Nu permiteți folosirea aparatului ca jucărie. Este necesară o atenție specială atunci când este folosit în apropierea copiilor.
- A se folosi numai conform descrierii din acest manual. Folosiți numai accesoriile recomandate de producător.
- Nu folosiți aparatul cu cablul sau ștecărul deteriorate. Dacă aparatul nu funcționează așa cum ar trebui, a fost scăpat pe jos, deteriorat, lăsat afară sau scăpat în apă, returnați-l la un centru de service.
- Nu trageți sau transportați de cablu, nu folosiți cablul ca mâner, nu închideți ușa peste cablu și nu trageți cablul în jurul marginilor sau colțurilor ascuțite. Nu treceți cu aparatul peste cablu. Țineți cablul la distanță de suprafețele încinse.
- Nu deconectați trăgând de cablu. Pentru deconectare, apucați de ștecăr, nu de cablu.
- Nu manipulați ștecărul, cablul sau aparatul cu mâinile ude.
- Nu puneți niciun obiect în orificii. Nu utilizați aparatul cu un orificiu blocat; feriți aparatul de praf, scame, fire de păr și orice obiecte care pot reduce fluxul de aer.
- Țineți la distanță hainele largi, firele de păr, degetele și toate părțile corpului de orificiile și părțile în mișcare ale aparatului.
- Nu aspirați niciun obiect care arde sau scoate fum, cum ar fi țigări, chibrituri sau cenușă fierbinte sau orice tip de praf periculos pentru sănătate.
- Opriți toate comenzile înainte de deconectare.
- Procedați cu mare atenție la curățarea scărilor.
- Nu folosiți aparatul pentru a aduna lichide inflamabile sau combustibile precum produsele petroliere și nu folosiți în zone în care acestea ar putea fi prezente.
- Dacă iese spumă sau lichid cu aerul eliminat, opriți imediat alimentarea. Verificați dacă nu există corpuri străine care obstrucționează mișcarea liberă a bilei flotoare. Contactați Nilfisk dacă problema persistă.
- Lichidul eliberat la duza de pulverizare ar putea fi periculos din cauza temperaturii, presiunii sau conținutului chimic.
- Utilizați numai perii furnizate cu aparatul sau pe cele specificate în manualul de instrucțiuni. Utilizarea altor perii poate afecta siguranța.

## PĂSTRAȚI ACESTE INSTRUCȚIUNI

## INSTRUCȚIUNI DE ÎMPĂMÂNTARE

Acest aparat trebuie să fie împământat. În cazul unei defecțiuni electrice, împământarea oferă o cale de rezistență mai redusă pentru curentul electric în vederea reducerii riscului de electrocutare. Acest aparat este echipat cu un cablu care are un conductor de împământare pentru echipamente și un ștecăr de împământare. Ștecărul trebuie să fie conectat la o priză adecvată care este instalată corect și împământată în conformitate cu toate codurile și ordonanțele locale.

### **PERICOL!**

Conectarea incorectă a conductorului de împământare a echipamentului poate duce la un risc de electrocutare. Verificați cu un electrician calificat sau un specialist de service dacă aveți dubii în ceea ce privește împământarea corectă a prizei. Nu modificați ștecărul furnizat cu aparatul. Dacă acesta nu se va potrivi în priză, solicitați instalarea unei prize corespunzătoare de către un electrician calificat.

Înlocuiți ștecărul dacă pinul de împământare este deteriorat sau rupt.

Firul verde (sau verde/galben) din cablu este firul de împământare. La înlocuirea unui ștecăr, acest fir trebuie să fie atașat numai la pinul de împământare.

Cordoanele prelungitoare conectate la acest aparat trebuie să aibă de 2,5 mm<sup>2</sup> (12 AWG) și să fie cordoane cu trei fire cu ștehere și prize cu împământare. NU FOLOSIȚI cordoane prelungitoare mai lungi de 15 m (50 ft).

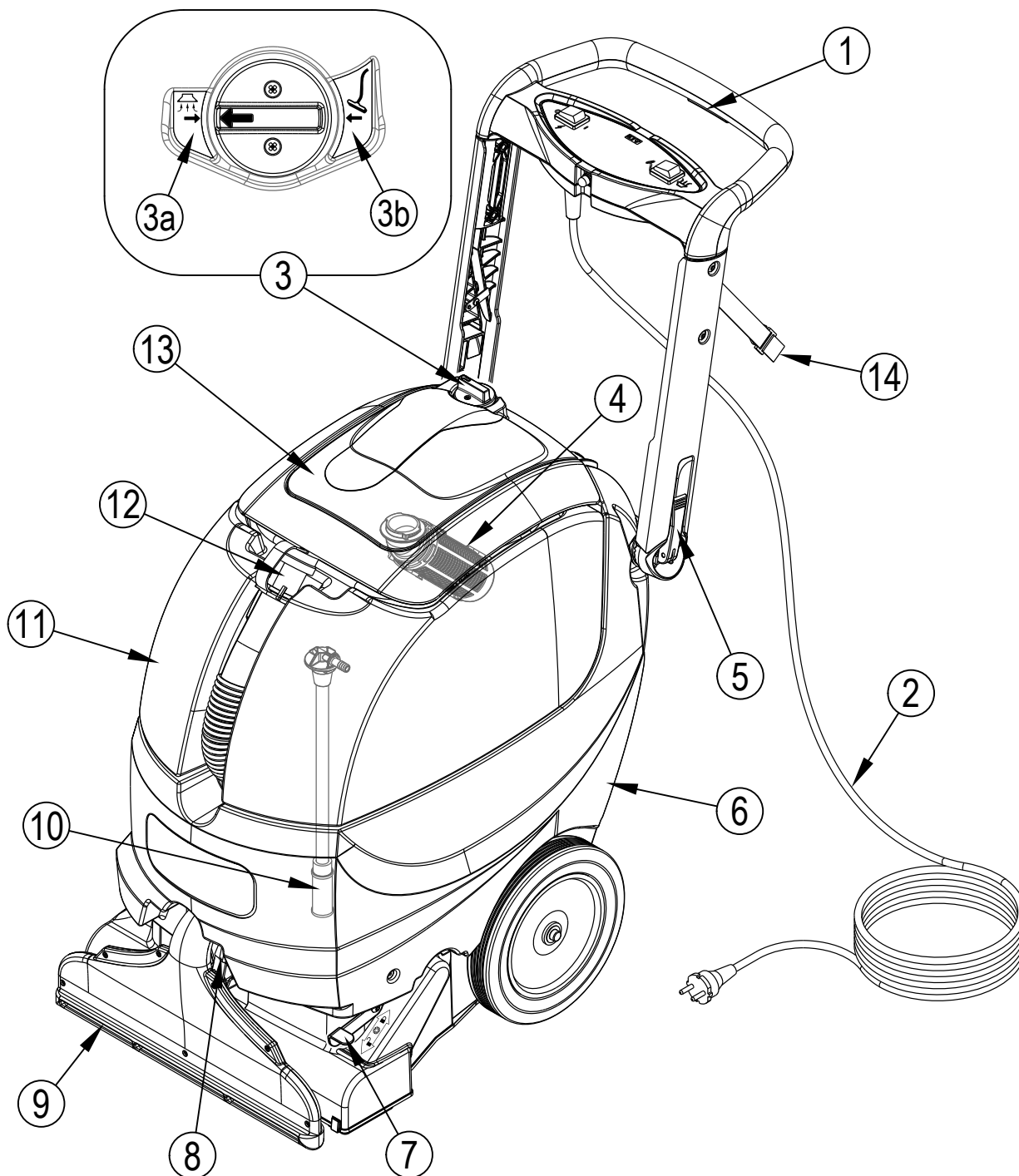
### **AVERTIZARE!**

- Dacă se folosește un cordon prelungitor, ștecărul și priza trebuie să fie etanșe la apă.
- Cordoanele prelungitoare neadecvate pot fi periculoase.



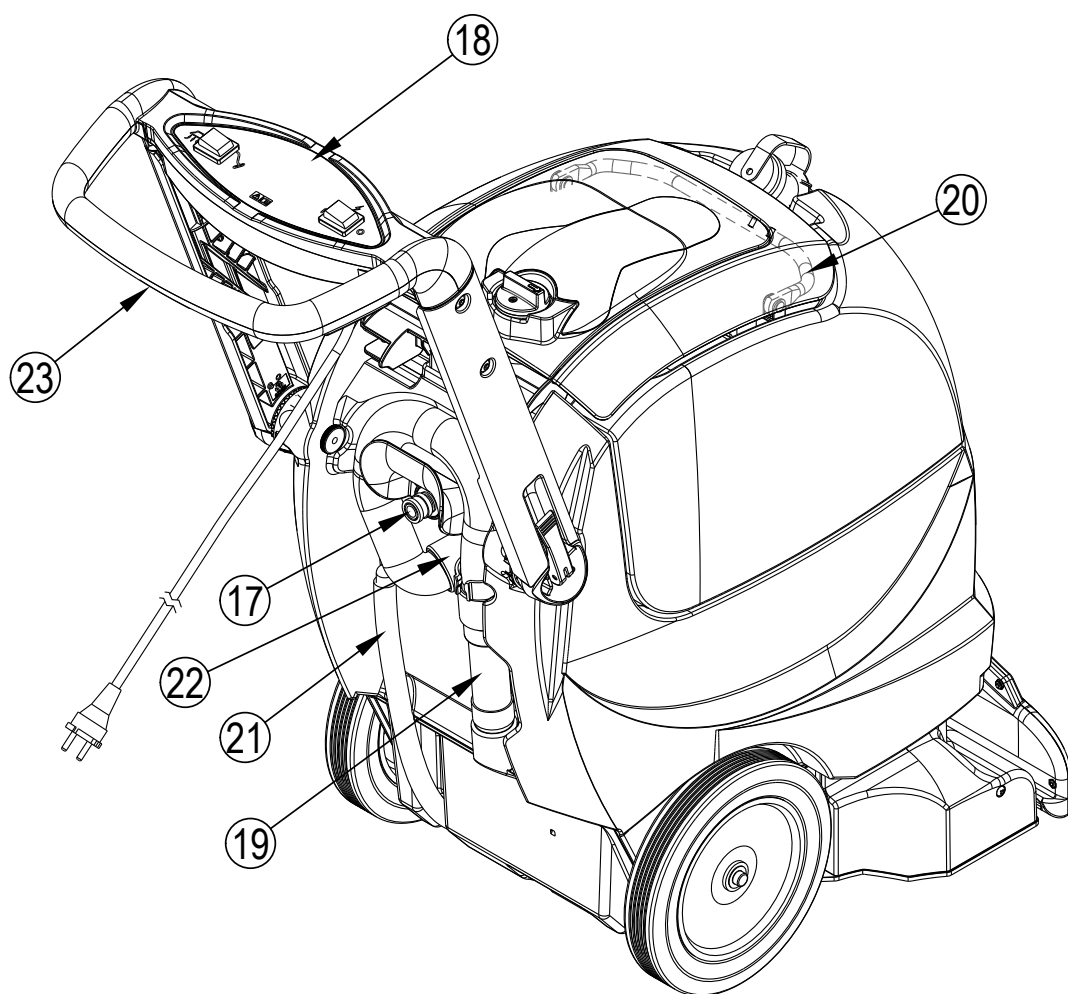
**CUNOAȘTEȚI-VĂ APARATUL – ES300**

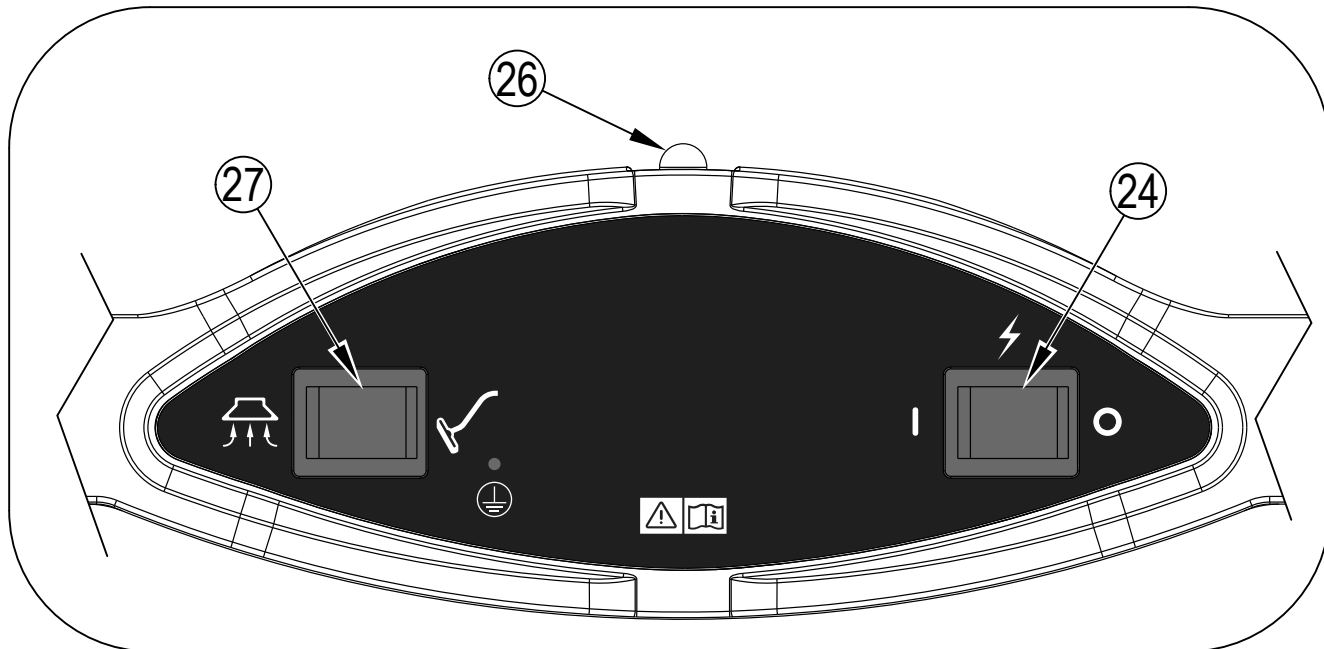
- |    |   |    |   |
|----|---|----|---|
| 1  | Comutator de soluție  | 8  | Pârghie de eliberare a tăpii de aspirare      |
| 2  | Cablu de alimentare   | 9  | Taplă de aspirare                             |
| 3  | Buton selector al modului de aspirare                       | 10 | Filtru de soluție                             |
| 3a | Mod talpă de aspirare                                       | 11 | Rezervor de recuperare                        |
| 3b | Mod accesoriu   | 12 | Furtun de golire a rezervorului de recuperare |
| 4  | Oprire flotor automată                                      | 13 | Capac al carcasei rezervorului de recuperare  |
| 5  | Pârghii de reglare a unghiului mânerului (în număr de 2)    | 14 | Curea de prindere pentru cablu                |
| 6  | Rezervor de soluție   |    |   |
| 7  | Pârghie de ridicare a compartimentului de păstrare a periei |    |   |



**CUNOAȘTEȚI-VĂ APARATUL – ES300**

- 17 Port de soluție pentru accesorii
- 18 Panou de control
- 19 Instrument manual (opțional)
- 20 Mâner al rezervorului de recuperare
- 21 Furtun de golire/Indicator de nivel al soluției
- 22 Port pentru furtunul de aspirare pentru accesorii
- 23 Ansamblu de mână



**CUNOAȘTEȚI-VĂ PANOUL DE CONTROL****24** Comutator principal de alimentare**26** Întrerupător de circuit 5 Amp**27** Comutator talpă de aspirare/accesorii

## PREGĂTIREA APARATULUI PENTRU UTILIZARE

### UMPLEREA REZERVORULUI DE SOLUȚIE

- 1 Opriti comutatorul de alimentare (O) și apoi deconectați aparatul.
- 2 Deschideți capacul carcasei rezervorului de recuperare (13). Folosiți mânerul rezervorului de recuperare (20) și ridicați rezervorul de recuperare de pe aparat, apoi puneți-l deoparte.
- 3 Citiți instrucțiunile de diluare de pe recipientul cu detergent. Apoi calculați cantitatea corectă de detergent pe care să o amestecați cu cantitatea de apă pentru capacitatea rezervorului de soluție al aparatului; 34 de litri (9 galoane).

### ⚠ ATENȚIE!

Folosiți detergenți lichizi cu spumare redusă concepuți pentru extracția din covoare.

- 4 **A se vedea Figura 4.** Turnați detergent în rezervorul de soluție și umpleți rezervorul cu apă fierbinte (temperatura maximă 54°C/130°F). Nu umpleți prea tare rezervorul de soluție. Punctul maxim de umplere este atunci când nivelul soluției atinge marginea inferioară de la deschiderea rezervorului (A).

**NOTĂ:** Rezervorul de soluție are un suport de furtun incorporat (B) care poate fi folosit pentru a fixa capătul furtunului în timpul umplerii rezervorului.

- 5 Puneți rezervorul de recuperare înapoi în aparat. Asigurați-vă că rezervorul de recuperare este bine așezat pe rezervorul de soluție.
- 6 Așezați capacul carcasei (13) înapoi peste rezervorul de recuperare.

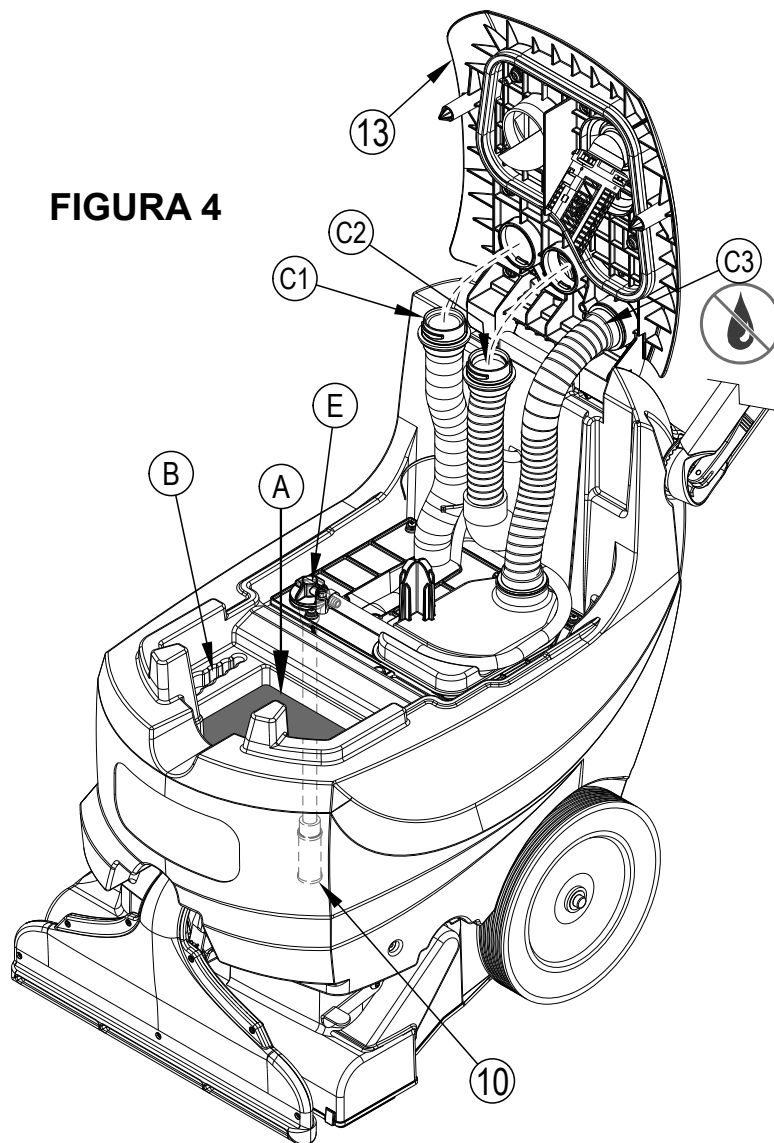
**NOTĂ:** Furtunile (C1, C2 și C3) care se conectează la capacul carcasei se atașează împingând furtunul în deschiderea capacului carcasei și răsucind 1/4 tură în sens orar pentru a bloca.

**Furtunul C1** = Furtunul tălpii de aspirare

**Furtunul C2** = Furtun pentru accesorii (tijă sau instrument de mână)

**Furtunul C3** = Furtun pentru motorul de aspirare (nu lăsați apa sau spuma să pătrundă în acest furtun)

FIGURA 4



### ÎNAINTE DE A UTILIZA APARATUL

Aspirați bine covorul care urmează să fie curățat înainte de a folosi extractorul automat.

### PULVERIZAREA PREALABILĂ PE COVOR

Pulverizați în prealabil pe pete și zonele de trafic intens înainte de curățare. Folosiți pulverizatorul cu sticlă pentru aplicare manuală sau un pulverizator presurizat de tip „Hudson”. Amestecați soluția de pulverizare prealabilă conform indicațiilor producătorului detergentului.

### PLANIFICAREA CURĂȚĂRII

Înainte de a începe extragerea, examinați zona care urmează să fie curățată și planificați-vă activitatea. Împărțiți spațiul în secțiuni. Suprapuneți fiecare trecere pe o suprafață de 5 cm (2 inchii).

## ACȚIONAREA APARATULUI

- 1 Urmați instrucțiunile din secțiunea *Pregătirea aparatului pentru utilizare* a acestui manual.
- 2 **A se vedea Figura 5.** Trageți în afară pârghiile de reglare a unghiului mânerului (5) pentru a debloca poziția mânerului. Reglați înălțimea mânerului în poziția cea mai confortabilă pentru operator. Apăsați pârghiile (5) pentru a bloca mânerul în poziție.
- 3 Apăsați comutatorul pentru talpa de aspirare/accesorii (27) în poziția accesoriului.
- 4 Deblocați (apăsați) pârghia pentru compartimentul de păstrare a periei (7) pentru ca peria să fie în contact cu podeaua.
- 5 Rotiți butonul de selectare a modului de aspirare (3) în poziția talpă de aspirare (3a) pentru extragere. **NOTĂ:** Butonul (3) trebuie să fie răsucit complet până când cele două săgeți sunt îndreptate una spre cealaltă pentru a obține etanșarea completă.
- 6 Conectați aparatul la o priză împământată corespunzător. Răsuciți comutatorul principal de alimentare (24) în poziția Pornit (I) pentru a porni motorul aspiratorului, pompa de soluție și motorul periei.
- 7 Țineți în permanență apăsat comutatorul de soluție (1) pentru a aplica soluția. După ce comutatorul de soluție (1) este eliberat, jetul de soluție se va opri.
- 8 Începeți curățarea trăgând aparatul în linie dreaptă și suprapuneți fiecare trecere cu 5 cm (2 inches). Eliberați comutatorul de soluție (1) înainte de întoarceri pentru a asigura extragerea completă a soluției din covor.
- 9 Urmăriți lichidul care pătrunde în capacul carcasei rezervorului de recuperare (13). Dacă este o cantitate mare de spumă în rezervorul de recuperare, adăugați o substanță chimică de îndepărtare a spumei în rezervorul de recuperare.

## ATENȚIE!

Goliți rezervorul de recuperare înainte ca lichidul sau spuma să intre în motorul de aspirare.

Dacă pătrunde o cantitate mică sau nu pătrunde nicio cantitate de lichid în rezervorul de recuperare, verificați furtunul de golire a soluției/indicatorul de nivel (21), este posibil ca rezervorul de soluție să fie gol. Reumpleți rezervorul de soluție cu apă și cantitatea adecvată de detergent de curățare.

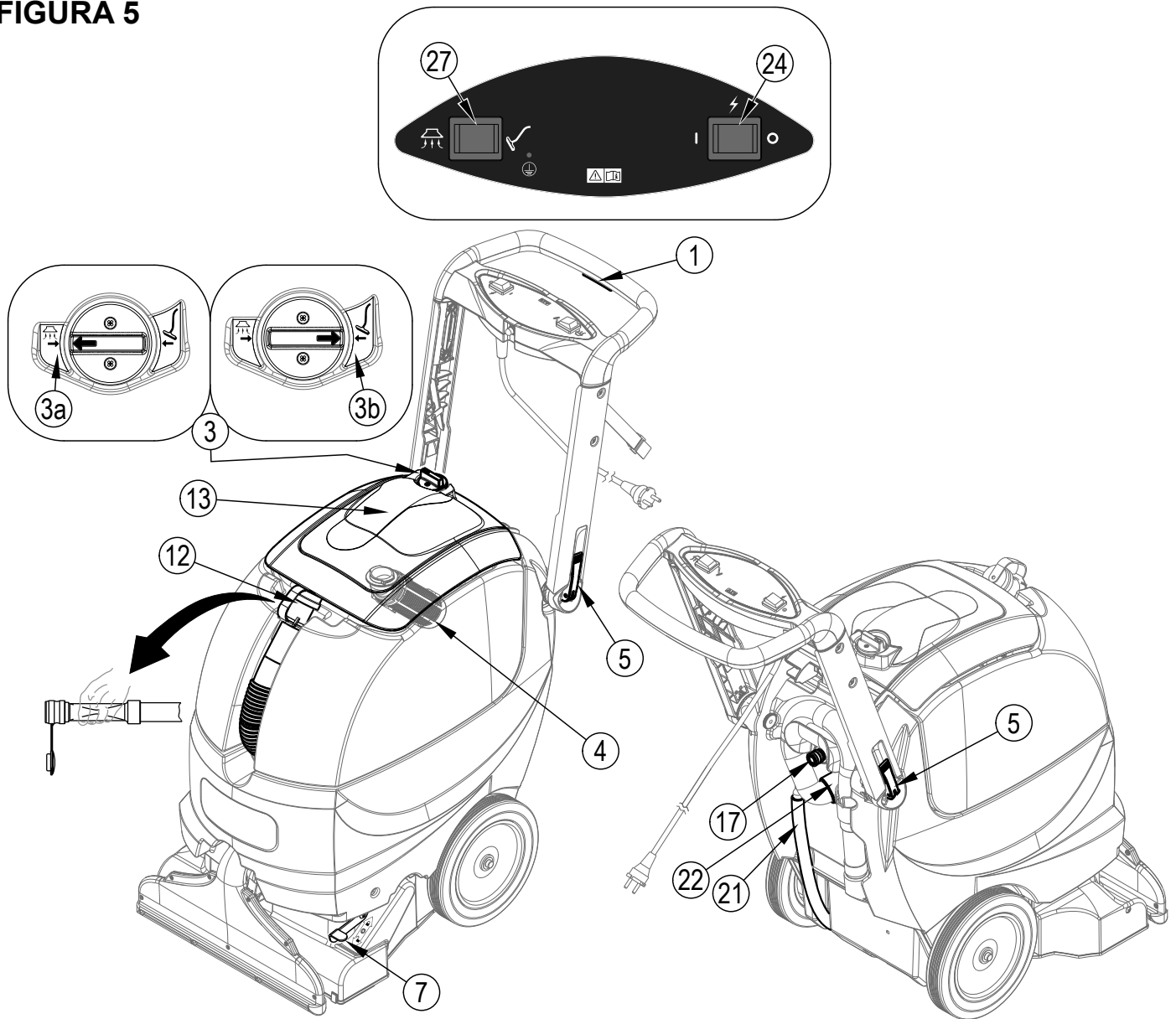
- 10 Rezervorul de recuperare are o oprire flotor automată (4) pentru a bloca sistemul de aspirare când rezervorul de recuperare este plin. Puteți vedea când flotorul se închide prin schimbarea bruscă a sunetului motorului de aspirare. Când flotorul se închide, rezervorul de recuperare trebuie golit. Aparatul poate continua să aplice soluție, dar **nu va** strânge apa cu flotorul închis.
- 11 Când operatorul vrea să oprească curățarea sau rezervorul de recuperare este plin, eliberați comutatorul de soluție (1). Apoi răsuciți comutatorul principal de alimentare în poziția Oprit (O) și deconectați aparatul. Blocați (trageți în sus) pârghia de ridicare a compartimentului de păstrare a periei (7) pentru a pune peria în poziția de păstrare.
- 12 Duceți aparatul la un „AMPLASAMENT DE EVACUARE” a apei reziduale desemnat și goliți rezervorul de recuperare. Pentru a goli, trageți furtunul de golire a rezervorului de recuperare (12) din cârligul său de depozitare în partea din față, apoi scoateți dopul (țineți capătul furtunului deasupra nivelului apei din rezervor pentru a evita curgerea bruscă, necontrolată a apei reziduale). Reumpleți rezervorul de soluție și continuați curățarea.

## UTILIZAREA ACCESORIILOR

Pentru a utiliza instrumentele accesorii:

- 1 Rotiți butonul de selectare a modului de aspirare (3) în poziția Accesoriu (3b) pentru accesorii. **NOTĂ:** Butonul (3) trebuie să fie răsucit complet până când cele două săgeți sunt îndreptate una spre cealaltă, pentru a obține etanșarea completă.
- 2 Atașați furtunul de recuperare al accesoriului la portul de aspirare pentru accesorii al aparatului (22).
- 3 Atașați furtunul de soluție al accesoriului la portul de soluție al aparatului (17).
- 4 Apăsați comutatorul pentru talpa de aspirare/accesorii (27) în poziția pentru talpa de aspirare.
- 5 Apăsați comutatorul principal de alimentare (24) în poziția Pornit (I) pentru a activa motorul de aspirare și pompa de soluție. Consultați distribuitorul Nilfisk pentru accesoriile care pot fi folosite cu ES300.

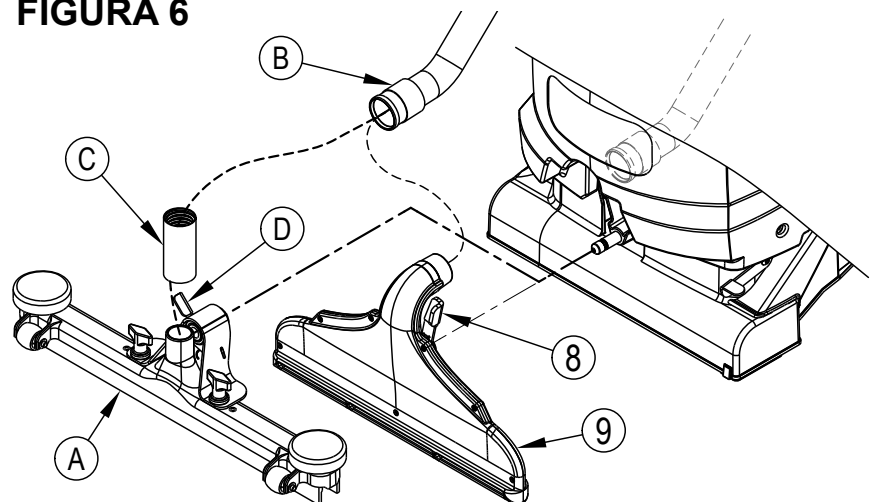
FIGURA 5



## SETURI PENTRU PODELE DURE

Talpa de aspirare poate fi îndepărtată și înlocuită cu un instrument de ștergere opțional (A) pentru utilizare pe suprafețe dure. A se vedea Figura 6. Apăsăți și mențineți apăsată pârghia de eliberare a tălpii de aspirare (8) și glisați talpa de aspirare (9) afară din clema sa de montare. Apoi deconectați furtunul de recuperare (B) de la talpa de aspirare și conectați-l la manșonul furtunului (C) și apoi la instrumentul de ștergere (A). Atașați instrumentul de ștergere la aparat în același loc de montare folosit pentru talpa de aspirare, împingeți pârghia de eliberare (D) și glisați instrumentul de ștergere în poziție. **NOTĂ:** Aplicațiile pentru podele dure pot necesita utilizarea altei perii. Ghidul pentru selectarea periei și numerele de catalog pot fi găsite în lista de piese de schimb.

FIGURA 6



## DUPĂ UTILIZAREA APARATULUI

- 1 Răsuciți comutatorul de alimentare în poziția OPRIT (O). Deconectați cablul de alimentare (2). Înfășurați cablul și agățați-l în cureaua de prindere a cablului (14).
- 2 Pentru a goli rezervorul de recuperare, scoateți furtunul de golire a rezervei de recuperare (12) din cârlig. Îndreptați furtunul spre un „AMPLASAMENT DE EVACUARE” a apei reziduale desemnat și scoateți dopul (țineți capătul furtunului deasupra nivelului apei din rezervor pentru a evita curgerea bruscă, necontrolată a apei reziduale). Clătiți rezervorul cu apă curată. Verificați furtunul de recuperare și pe cel de scurgere; înlocuiți dacă este astupat sau deteriorat.
- 3 Pentru a goli rezervorul de soluție, scoateți furtunul de golire a soluției (21) din dispozitivul de prindere. Îndreptați furtunul spre un „AMPLASAMENT DE EVACUARE” a apei reziduale desemnat. Clătiți rezervorul cu apă curată. Verificați furtunele de soluție; înlocuiți dacă sunt astupate sau deteriorate.
- 4 Scoateți peria, clătiți cu apă caldă și îndepărtați orice depuneri acumulate, păr sau fibre din covor.
- 5 Deconectați furtunele de recuperare C1 și C2 (a se vedea Figura 4) de la capacul carcasei rezervorului de recuperare (13) și clătiți cu apă caldă orice reziduuri din furtunul de recuperare și talpa de aspirare. Nu clătiți furtunul C3 deoarece acesta se conectează la motorul de aspirare.
- 6 Ștergeți aparatul cu o lavetă umedă. Nu utilizați substanțe chimice abrazive sau solvenți.
- 7 Efectuați toate lucrările de întreținere înainte de depozitare. A se vedea *Programul de întreținere*.
- 8 Depozitați aparatul în interior, într-un loc curat și uscat cu capacul carcasei rezervorului deschis. A se feri de îngheț.
- 9 Așezați aparatul în poziția de depozitare. Acest lucru va împiedica deformarea periei, ceea ce va prelungi durata de viață a acesteia și îi va menține performanța. Ridicați pârghia de ridicare a periei (7) până când pârghia se blochează în poziția de depozitare superioară.

## PROGRAM DE ÎNTREȚINERE

ELEMENT ÎNTREȚINERE	Zilnic	Săptămânal	Anual
Verificați/curățați peria electrică	X		
Verificați/Curățați rezervoarele și furtunele	X		
Verificați/Curățați flotorul de oprire a aspirării	X		
Curățați talpa de aspirare	X		
Curățați duza de pulverizare „Întreținere”		X	
Verificați și curățați filtrul de soluție		X	
*Clătiți sistemul de soluție cu un amestec pe bază de oțet			X
**Verificați periile de carbon			X

\* O dată pe an sau după 300 de ore de funcționare, clătiți aparatul cu un amestec de oțet alb (1 sfert (0,94 l) oțet la 2 galoane (7,57 l) de apă). Acest lucru va ajuta la prevenirea acumulării de reziduuri alcaline în sistemul de soluție.

\*\* Solicitați unui tehnician de service Nilfisk să verifice periile de carbon ale motorului de aspirare o dată pe an sau după 300 de ore de funcționare. Periile de carbon de la motorul de aspirare trebuie verificate după 500 de ore sau o dată pe an.

## ⚠ IMPORTANT!

Deteriorarea motorului produsă de neefectuarea service-ului la periile de carbon nu este acoperită de garanție. A se vedea declarația de garanție limitată.

## ÎNTREȚINEREA TĂLPII DE ASPIRARE

Verificați talpa de aspirare zilnic. Îndepărtați orice acumulări, păr sau fibre din covor. A se vedea Figura 7. Apăsăți și mențineți apăsată pârghia de eliberare a tălpii de aspirare (8) și glisați talpa de aspirare (9) afară din clema sa de montare. Apoi deconectați furtunul de recuperare de la talpa de aspirare.

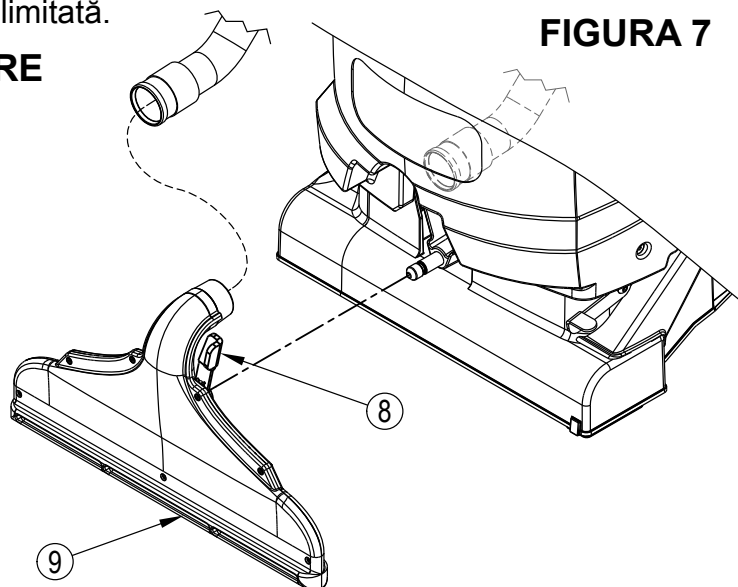


FIGURA 7

## ÎNTREȚINEREA DUZEI DE PULVERIZARE

Demontați duza de pulverizare pentru întreținere (A) o dată pe săptămână. A se vedea Figura 8. Răsuciți doza 1/4 tură în sens antiorar pentru a o desface. Înmuiați duza peste noapte în oțet pentru a îndepărta depunerile chimice. Nu folosiți cuie, sârmă sau alte obiecte similare pentru a curăța duza deoarece acest lucru poate distruge traseul de pulverizare.

## ÎNTREȚINEREA FILTRULUI DE SOLUȚIE

O dată pe săptămână (sau mai des dacă este necesar), inspectați și curățați filtrul de soluție (10). Goliți rezervorul de recuperare și rezervorul de soluție. Ridicați rezervorul de recuperare de pe aparat și puneți-l deoparte. A se vedea Figura 4. Mențineți furtunul de soluție conectat și răsuciți ansamblul filtrului (E) 1/4 de tură în sens antiorar pentru a-l slăbi. Trageți ansamblul filtrului drept în sus și scoateți-l din rezervorul de soluție. Reinstalați-l după curățare urmând pașii în ordine inversă.

## ÎNTREȚINEREA CABLULUI DE ALIMENTARE

O dată pe săptămână (sau mai des dacă este necesar), verificați cablul de alimentare pentru a vedea dacă este fisurat sau izolația este deteriorată, dacă sunt expuse fire în cablu sau ștecăr și dacă pinul de împământare este deteriorat sau lipsește. Înlocuiți cablul sau ștecărul deteriorat **imediat**.

## ÎNTREȚINEREA PERIEI ELECTRICE

Verificați peria zilnic. Îndepărtați orice acumulări, păr sau fibre din covor. Când aparatul nu este folosit, trebuie să fie așezat în poziția de depozitare. Acest lucru va împiedica deformarea periei, ceea ce va prelungi durata de viață a acesteia și îi va menține performanța.

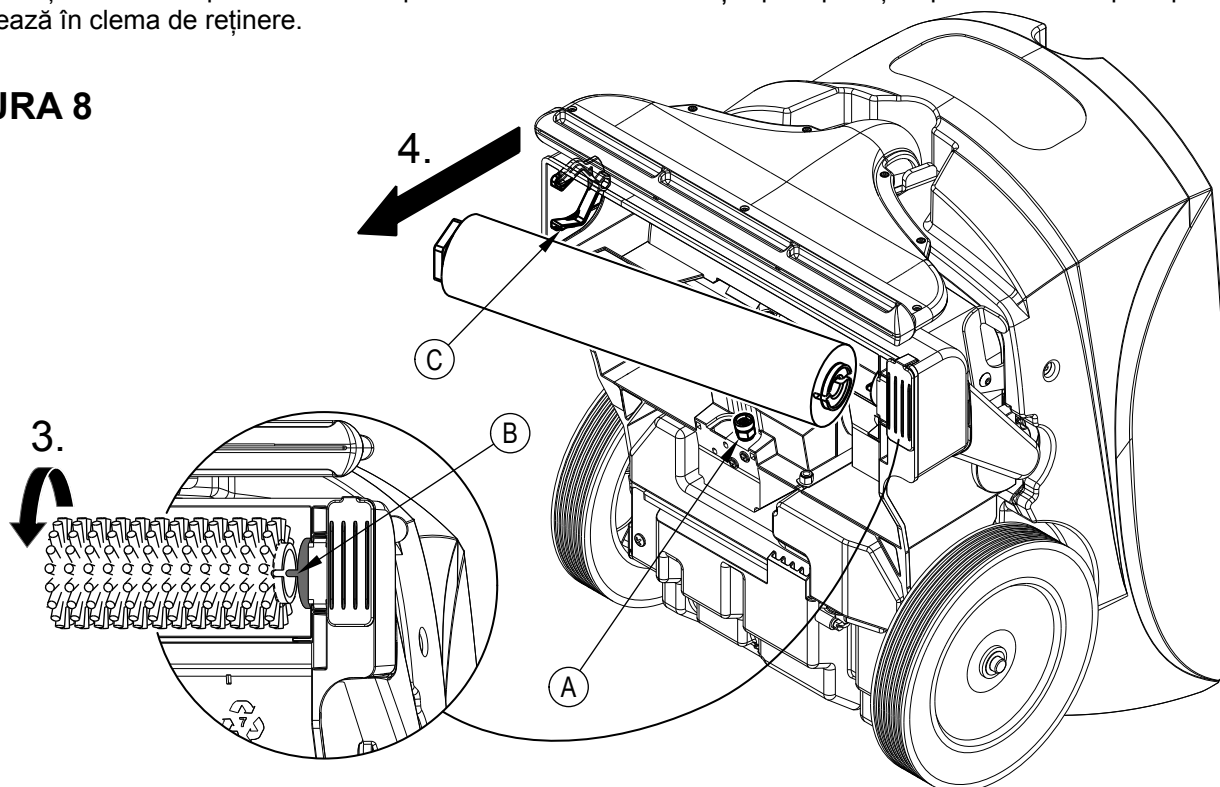
## SCOATEREA PERIEI

### ⚠ ATENȚIE!

Răsuciți comutatorul de alimentare în poziția oprit (O) și deconectați aparatul înainte de a schimba periele.

- 1 Goliți atât rezervorul de recuperare, cât și rezervorul de soluție. Deschideți capacul carcasei rezervorului de recuperare. Ridicați rezervorul de recuperare de pe aparat și puneți-l deoparte.
- 2 Așezați ansamblul mânerului (23) într-o poziție verticală și înclinați aparatul pe spate.
- 3 A se vedea Figura 8. Rotiți peria până când toarta de antrenare (B) este într-o poziție în care semnele de pe toarta de antrenare sunt paralele cu podeaua.
- 4 Apucați peria de la capătul cu clema de reținere a periei (C) și trageți drept în afară.
- 5 Instalați mai întâi o perie nouă la capătul toartei de antrenare și apoi apăsați capătul celeilalte perii până când se fixează în clema de reținere.

FIGURA 8





## DEPANAREA

Dacă posibilele cauza enumerate mai jos nu sunt sursa problemei, este un simptom al unui caz cu mult mai grav. Contactați imediat centrul de service Nilfisk pentru service.

## BLOCAREA ÎNTRERUPĂTORULUI DE CIRCUIT

Întrerupătorul de circuit (**26**) este situat pe panoul de control; acesta protejează circuitul electric și motorul periei împotriva deteriorării produse de suprasarcină. Dacă întrerupătorul de circuit se blochează, încercați să determinați cauza.

Întrerupător circuit perie (5 Amp) Posibila cauză ar putea fi:

- 1 Reziduuri înfășurate în jurul mecanismului de antrenare a periei (îndepărtați reziduurile)
- 2 Scurtcircuit electric (cereți centrului de service Nilfisk sau unui electrician calificat să verifice aparatul)

Odată ce problema a fost corectată, apăsați butonul pentru a reseta întrerupătorul de circuit. Dacă butonul nu stă apăsat, așteptați 5 minute și încercați din nou. Dacă întrerupătorul de circuit se blochează repetat, sunați centrul de service Nilfisk pentru service.

## COLECTARE REDUSĂ A APEI

Cauzele posibile pot fi:

- 1 Butonul de selectare a modului de aspirare (**3**) este setat la modul greșit sau nu este așezat corect (roțiți butonul complet pentru a-l alinia cu pictograma săgeată)
- 2 Rezervorul de recuperare este plin (goliți rezervorul de recuperare)
- 3 Deschideți furtunul de golire a rezervorului de recuperare (fixați dopul furtunului sau înlocuiți-l)
- 4 Furtunul de recuperare nu este conectat la talpa de aspirare (conectați furtunul la talpa de aspirare)
- 5 Furtunele de recuperare nu sunt conectate la porturile corecte din capacul carcasei (conectați furtunele la porturile corecte)
- 6 Furtunul de recuperare este înfundat sau deteriorat (înlocuiți furtunul)
- 7 Reziduuri prinse în talpa de aspirare, pedala selectorului de mod sau furtunul de recuperare (curățați talpa de aspirare, selectorul de mod și furtunul de recuperare)
- 8 Scurgere la garnitura capacului de la carcasa rezervorului de recuperare (înlocuiți garnitura)
- 9 Garnitura de etanșare de la pedala selectorului de mod este uzată sau lipsește (înlocuiți garnitura de etanșare)

## DEBIT NEADECVAT DE SOLUȚIE

Cauzele posibile pot fi:


- 1 Rezervorul de soluție este gol (umpleți rezervorul cu soluție)
- 2 Conductele de soluție sau filtrul de soluție sunt înfundate (clățiți conductele și filtrul)
- 3 Conducta de soluție nu este conectată la ansamblul filtrului (conectați conducta de soluție)
- 4 Duza de pulverizare este înfundată (curățați duza de pulverizare)

## ACCESORII/OPTIUNI

Pe lângă componentele standard, aparatul poate fi echipat cu următoarele accesorii/opțiuni, în funcție de utilizarea specifică a aparatului.

- Perii cu peri mai aspri sau mai moi
- Instrument manual pentru tapițerii
- Opțiuni diferite de tijă și furtun

## SPECIFICAȚII TEHNICE (așa cum sunt instalate și testate pe unitate)

Model		Nilfisk ES300
Nr. model		56265503
Tensiune/frecvență	V / Hz	220 -240 / 50-60
Curent nominal	Amp	7,6
Clasă de protecție (electrică)		
Grad de protecție		IPX4
Nivel de presiune a sunetului IEC 60335-2-68: 2012 Amend. 1:2005, ISO 11203	dB(A)/20μPa	≤70
Vibrații la comenzi de mână IEC 60335-2-68: 2012 Amend. 1:2005, EN ISO 5349-1: 2001	m/s <sup>2</sup>	0,39
Lățimea aparatului	inch / cm	19,25 / 48,9
Înălțimea minimă a aparatului cu mânerul reglabil	inch / cm	32 / 81,3
Înălțimea maximă a aparatului cu mânerul reglabil	inch / cm	46,5 / 118
Lungimea minimă a aparatului cu mânerul reglabil	inch / cm	28 / 71,1
Lungimea maximă a aparatului cu mânerul reglabil	inch / cm	48,25 / 122,5
Capacitate rezervor soluție	Galon / L	9 / 34
Capacitate rezervor de recuperare	Galon / L	7 / 26
Greutate brută*	lbs/kg	102 / 46,3

### Compoziția și caracterul reciclabil al materialelor

Tipul	% din greutatea aparaturii	% reciclabil
Aluminiu	5%	100%
Electrice / motoare / motoare – div.	23%	39%
Metale feroase	3%	100%
Legături / cabluri	1%	83%
Lichide	0%	0%
Plastic - nereciclabil	10%	0%
Plastic - reciclabil	10%	100%
Polietilenă	42%	90%
Cauciuc	7%	33%





# RoHS

## Exemplary list for Scrubber Dryers

部件名称	有害物质					
	铅 (Pb)	汞 (Hg)	镉 (Cd)	六价铬 (Cr (VI))	多溴联苯(PBB)	多溴二苯醚(PBDE)
电池	X	o	o	o	X	X
充电器	X	o	X	o	o	o
底盘	X	o	o	o	o	o
电子配件	X	o	X	o	X	X
软管	X	o	o	X	X	o
发动机	X	o	o	o	X	X
电源线	X	o	X	X	o	o
基础零件	o	o	o	X	o	o
控制器	X	o	o	o	o	o
处理/污水	o	o	o	o	X	X
刷子/扫帚	o	o	o	o	X	X

本表格依据 SJ/T 11364 的规定编制。

O：表示该有害物质在该部件所有均质材料中的含量均在 GB/T 26572 规定的限量要求以下。

X：表示该有害物质至少在该部件的某一均质材料中的含量超出 GB/T 26572 规定的限量要求。

## NAMEPLATE

The Model Number (also known as Part Number) and Serial Number of your machine are shown on the Nameplate, located on the machine.

Date of Manufacture "Date Code" is marked on the nameplate. Date Code: A16, means January 2016.

This information is needed when ordering repair parts for the machine. Use the space below to note the Part Number and Serial Number of your machine for future reference.

PART NO. \_\_\_\_\_

SERIAL NO. \_\_\_\_\_

IEC SYSTEM FOR MUTUAL RECOGNITION OF TEST  
CERTIFICATES FOR ELECTRICAL EQUIPMENT  
(IECEE) CB SCHEME

SYSTEME CEI D'ACCEPTATION MUTUELLE DE  
CERTIFICATS D'ESSAIS DES EQUIPEMENTS  
ELECTRIQUES (IECEE) METHODE OC

## CB TEST CERTIFICATE

## CERTIFICAT D'ESSAI OC

Product  
Produit

Carpet Extractor

Name and address of the applicant  
Nom et adresse du demandeur

Nilfisk, Inc.  
9435 Winnetka Ave N, Brooklyn Park  
MN 55445, USA

Name and address of the manufacturer  
Nom et adresse du fabricant

Same as applicant

Name and address of the factory  
Nom et adresse de l'usine  
Note: When more than one factory, please report on page 2  
Note: Lorsque il y plus d'une usine, veuillez utiliser la 2<sup>ème</sup> page

Nilfisk de México S. de R.L. de CV.  
Pirineos N° 515, bodega 60 – 70, Parque Microindustrial  
Santiago, Col. Zona Industrial Benito Juárez, C.P. 76120  
Queretaro, Qro., Mexico

Ratings and principal characteristics  
Valeurs nominales et caractéristiques principales

240V~, 50/60Hz, 7.6A, 1824W  
Class I

Trademark (if any)  
Marque de fabrique (si elle existe)

 Nilfisk

Type of Manufacturer's Testing Laboratories used  
Type de programme du laboratoire d'essais  
constructeur

-

Model / Type Ref.  
Ref. De type

ES300 Nilfisk

Additional information (if necessary may also be  
reported on page 2)  
Les informations complémentaires (si nécessaire,  
peuvent être indiqués sur la 2<sup>ème</sup> page)

National differences for CA, NZ and KR have been checked.

A sample of the product was tested and found  
to be in conformity with  
Un échantillon de ce produit a été essayé et a été  
considéré conforme à la

IEC 60335-1:2010+A1  
IEC 60335-2-68:2012

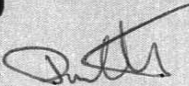
As shown in the Test Report Ref. No. which forms part  
of this Certificate  
Comme indiqué dans le Rapport d'essais numéro de  
référence qui constitue partie de ce Certificat

102346328MIN-002

This CB Test Certificate is issued by the National Certification Body  
Ce Certificat d'essai OC est établi par l'Organisme National de Certification

Intertek Semko AB  
Box 1103  
SE-164 22 Kista, Sweden  
Int +46 8 750 00 00

Intertek

Signature: 

Paul Klemets

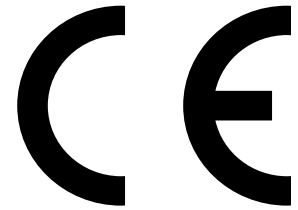
Date: 4 August 2016

EU/EK; UE/CE; EU/EC; EU/CE; EE/EE; EL/EK; ES/EK; UE/KE; EU/EB; EC/EK; EY/EK: AB/AK

Сертификат за съответствие  
Osvědčení o shodě  
Konformitätserklärung  
Overensstemmelsecertifikat  
Declaración de conformidad  
Vastavussertifikaat  
Déclaration de conformité  
Yhdennukaisuustodistus  
Conformity certificate

Πιστοποιητικό συμμόρφωσης  
Megfelelősségi nyilatkozat  
Potvrda sukladnosti  
Dichiarazione di conformità  
Atitikties deklaracija  
Atbilstības deklarācija  
Konformitetsertifisering  
Conformiteitsverklaring  
Declaração de conformidade

Deklaracija zgodności  
Certificat de conformitate  
Överensstämmelsecertifikat  
Certifikát súladu  
Certifikat o ustreznosti  
Usklađenost certifikat  
Uyumluluk sertifikası



Модел / Model / Modell / Modelo / Mudel /  
Modèle / Malli / Μοντέλο / Modello / Modelis /  
Modelis / Modelo:

Nilfisk: ES300

Тип / Тур / Type / Tipo / Tüüp /  
Τυπρί / Τύπος / Típus / Vrsta /  
Tipas / Tips / Tip:

Carpet Extractor

Сериен номер / Výrobní číslo / Seriennummer / Seriennummer / Número de serie / Seerianumber / Numéro de série / Sarjanumero / Serial number /  
Σειριακός αριθμός / Sorozatszám / Serijski broj / Numero di serie / Serijos numeris / Sērijas numurs / Número de série / Numer seryjny / Număr de serie /  
Výrobné číslo / Searijska številka / Серијски број / Seri Numarası :

Година на производство / Rok výroby / Baujahr / Fabrikationsår / Año de fabricación / Väljallaskeasta / Année de fabrication / Valmistusvuosi / Year of construction  
/ Έτος κατασκευής / Gyártási év / Godina izgradnje / Anno di costruzione / Pagaminimo metai / Izgatavošanas gads / Byggeår / Baujaar / Ano de fabrico / Rok  
produkcji / Anul fabricației / Tillverkningsår / Rok výroby / Leto izdelave / Година изградње / Leto izdelave/İmal yılı : 2016

**BG** Долуподписаният потвърждава, че гореспоменатият модел е произведен в съответствие със следните директиви и стандарти. Техническият файл е съставен от производителя.

**GB** The undersigned certify that the above mentioned model is produced in accordance with the following directives and standards. The technical file is compiled by the manufacturer.

**P** A presente assinatura serve para declarar que os modelos supramencionados são produtos em conformidade com as seguintes directivas e normas. A ficha técnica é redigida pelo fabricante.

**CZ** Niže podepsaný stvrzuje, že výše uvedený model byl vyroben v souladu s následujícími směrnici a normami. Autorem technického listu je výrobce.

**GR** Ο κάτωθι υπογεγραμμένος πιστοποιεί ότι η παραγωγή του προαναφερθέντος μοντέλου γίνεται σύμφωνα με τις ακόλουθες οδηγίες και πρότυπα. Το τεχνικό αρχείο συντάσσεται από τον κατασκευαστή.

**PL** Niżej podpisany zaświadcza, że wymieniony powyżej model produkowany jest zgodnie z następującymi dyrektywami i normami. Dokumenty techniczne zostały przygotowane przez producenta.

**D** Der Unterzeichner bestätigt hiermit dass die oben erwähnten Modelle gemäß den folgenden Richtlinien und Normen hergestellt wurden. Die technische Dokumentation wird vom Hersteller erstellt.

**H** Alulírottak igazoljuk, hogy a fent említett modellt a következő irányelvek és szabványok alapján hoztuk létre. A műszaki fájl a gyártó készítette.

**RO** Subsemnatul atest că modelul susmenționat este produs în conformitate cu următoarele directive și standarde. Fișierul tehnic este redactat de către producător.

**DK** Undertegnede attesterer herved, at ovennævnte model er produceret i overensstemmelse med følgende direktiver og standarder. Den tekniske fil er udarbejdet af fabrikanten.

**HR** Potpisani potvrđujem da gore spomenuti model proizveden u skladu sa sljedećim direktivama i standardima. Tehničku dokumentaciju sastavlja proizvođač.

**S** Undertecknad intygar att ovannämnda modell är producerad i överensstämmelse med följande direktiv och standarder. Den tekniska filen är sammanställd av tillverkaren.

**E** El abajo firmante certifica que los modelos arriba mencionados han sido producidos de acuerdo con las siguientes directivas y estándares. El fascículo técnico está redactado por el fabricante

**I** Il sottoscritto dichiara che i modelli sopra menzionati sono prodotti in accordo con le seguenti direttive e standard. Il fascicolo tecnico è redatto dal costruttore.

**SK** Dolu podpísaný osvedčuje, že hore uvedený model sa vyrába v súlade s nasledujúcimi smernicami a normami. Technický súbor vytvoril výrobca.

**EST** Allakirjutanu kinnitab, et ülalnimetatud mudel on valmistatud kooskõlas järgmistele direktiivide ja normidega. Tehnilise dokumentatsiooni koostab tootja.

**LT** Toliau pateiktu dokumentu patvirtinama, kad minėtas modelis yra pagamintas laikantis nurodytų direktyvų bei standartų. Techninę bylą sudarė gamintojas.

**SLO** Spodaj podpisani potrjujem, da je zgoraj omenjeni model izdelan v skladu z naslednjimi smernicami in standardi. Spis s tehnično dokumentacijo pripravi izdelovalec.

**F** Je soussigné certifie que les modèles ci-dessus sont fabriqués conformément aux directives et normes suivantes. Le dossier technique est rédigé par le fabricant.

**LV** Ar šo tiek apliecināts, ka augstākminētais modelis ir izgatavots atbilstoši šādām direktīvām un standartiem. Tehnisko aprakstu ir sastādījis ražotājs.

**SRB** Доле потписани потврђујем да су горе поменути модел је произведен у складу са следећим директивима и стандардима. Техничка фајл је састављен од стране произвођача.

**FIN** Allekirjoittaita vakuuttaa että yllämainittu malli on tuotettu seuraavien direktiivien ja standardien mukaan. Valmistaja kääntää teknisen tiedoston.

**N** Undertegnede attesterer att ovennævnte modell är produceret i överensstemmelse med följande direktiv och standarder. Den tekniske filen er opprettet av produsenten.

**TR** Aşağıda İmzası olan kişi, yukarıda bahsedilen model cihazın aşağıda verilen direktiflere ve standartlara uygunlukta imal edildiğini onaylar. Teknik dosya üretici tarafından derlenmiştir.

**NL** Ondergetekende verzekert dat de bovengenoemde modellen geproduceerd zijn in overeenstemming met de volgende richtlijnen en standaards. Het technische bestand is door de fabrikant samengesteld.

2014/30/EU

EN 55014-1:2006+A1:2009+A2:2011, EN 61000-3-2:2014, EN 61000-3-3:2013

EN 55014-2:1997+A1:2001+A2:2008

2006/42/EC

EN 60335-1:2012+A11:2014, EN 60335-2-68:2012

Производител / Výrobce / Hersteller / Fabrikanten / Fabricante /  
Tootja / Fabricant / Valmistaja / Manufacturer / Κατασκευαστή /  
Gyártó / Proizvođač / Construttore / Gamintojas / Ražotājs /  
Produsenten / Fabrikant / Producēta / Producător /  
Tillverkaren / Výrobca / Izdelovalec / Произвођач / Üretici :

Nilfisk A/S Kornmarksvej 1 DK-2605 Broendby DENMARK

Authorized signatory:

Anton Soerensen, Senior VP,R&D

July 08, 2016



**Nilfisk A/S**  
Kornmarksvej 1 · DK-2605 Brøndby · Denmark  
Tel.: +45 43 23 81 00 · Fax: +45 43 43 77 00  
mail.com@nilfisk.com  
www.nilfisk.com

